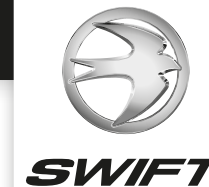


CREATING SMILES FOR LIFE



CREATING SMILES FOR LIFE



SWIFT GROUP

Dunswell Road
Cottingham
East Yorkshire
HU16 4JX

Tel: 01482 875740
Fax: 01482 840082
Email: enquiry@swiftgroup.co.uk

Swift Group Technical Handbook

Coachbuilt Motorhomes

FIND OUT MORE AT SWIFTGROUP.CO.UK



Brochure



Layouts



Dealer



Video



Social

Issued September 2017



Escape Specifications	2
Escape Capacities	11
Escape Jacking Points	13
Rio Specifications	15
Rio Capacities	16
Rio Towing Capabilities	17
Rio Jacking Points	18
Bessacarr Specifications	20
Bessacarr Capacities	32
Bessacarr Towing Capabilities	33
Bessacarr Jacking Points	34
Kon-tiki Specifications	36
Kon-tiki Capacities	45
Kon-tiki Towing Capabilities	46
Kon-tiki Jacking Points	48
Escape, Rio, Bessacarr and Kon-tiki Wiring Diagrams	50
Bulb Chart	59
Bulb Replacement.....	61
Dealer Special Editions based on Escape.....	64
Dealer Special Editions based on Bessacarr	74
Bed make up directions	86

Specifications

Model	Escape 604 Standard	Escape 604 Optional
Roof Profile	Low Line	
Engine	130 MJT	130 MJT Auto
Engine Capacity	2.3ltr	2.3ltr
Max Power	96kW @ 3600rpm	96kW @ 3600rpm
Torque	320Nm @ 1800rpm	320Nm @ 1800rpm
Chassis	MLWB Fiat Chassis	
Wheel base	3.80m/12'6"	
Designated Passenger Seats excluding Driver	3	
Berths (sleeping positions)	4	
Overall Length (no ladder)**	5.97m/19'7"	
Overall Width (mirrors folded)	2.31m/7'7"	
Overall Height**	2.91m/9'6"	
Maximum Technical Permissible Laden Mass (A)	3500kg	
Mass in Running Order (B)	2854kg	2871kg *
Maximum User Payload (A-B)	646kg	629kg *
Unladen Weight	2698kg *	2715kg *
Essential Habitation Equipment	0kg	
Thermal Insulation Grade	Three	
Bed Sizes		
Front Double	2.09m x 1.39m/1.03m / 6'10" x 4'7"/3'5"	
Front Nearside Single		
Front Offside Single		
Rear Double		
Rear Nearside Single		
Rear Offside Single		
Rear Bunk (Upper)		
Rear Bunk (Lower)		
Front Drop Down Bed	1.93m x 1.27m / 6'4" x 4'2"	

Escape 614 Standard	Escape 614 Optional
Low Line	
130 MJT	130 MJT Auto
2.3ltr	2.3ltr
96kW @ 3600rpm	96kW @ 3600rpm
320Nm @ 1800rpm	320Nm @ 1800rpm
MLWB Fiat Chassis	
3.80m/12'6"	
3	
4	
6.72m/22'1"	
2.31m/7'7"	
2.91m/9'6"	
3500kg	
2947kg	2964kg
553kg	536kg
2791kg	2808kg
0kg	
Three	
2.09m x 1.39m/1.03m / 6'10" x 4'7"/3'5"	
1.93m x 1.27m / 6'4" x 4'2"	

NOTE: 1. The **Maximum User Payload** includes:

- a) the **conventional load** (this is the allowance for passengers)
- b) **essential habitation equipment** (items and fluids required for safe and proper functioning of habitation equipment)
- c) **optional equipment** (items available from the manufacturer over and above the standard specification)
- d) **personal effects** (those items not covered by the above)

2. The **Mass in Running Order** is the mass of the unladen vehicle including a 75kg allowance for the driver plus engine coolants and 90% of the fuel tank and 1 x 6kg Calor Lite cylinder. The MRO is calculated with the fresh water tank empty. If you travel with water in the fresh water tank then the payload will reduce accordingly.

3. PLEASE TAKE CARE TO ENSURE THAT YOU HAVE ALLOWED FOR THE MASSES OF ALL ITEMS YOU INTEND TO CARRY IN THE MOTOR CARAVAN, e.g. passengers, optional equipment, essential

habitation equipment and personal effects, such as clothing, food, pets, bicycles, sailboards, sports equipment etc.

4. **WARNING** - UNDER NO CIRCUMSTANCES SHOULD THE MAXIMUM TECHNICAL PERMISSIBLE LADEN MASS OF THIS MOTOR CARAVAN BE EXCEEDED.

* Estimated

** For optional roof ladder add 125mm to length 40mm to height on Low Line

Specifications

Model	Escape 622 Standard	Escape 622 Optional
Roof Profile	Low Line	
Engine	130 MJT	130 MJT Auto
Engine Capacity	2.3ltr	2.3ltr
Max Power	96kW @ 3600rpm	96kW @ 3600rpm
Torque	320Nm @ 1800rpm	320Nm @ 1800rpm
Chassis	MWB Fiat Chassis	
Wheel base	3.45m/11'4"	
Designated Passenger Seats excluding Driver	1	
Berths (sleeping positions)	2	
Overall Length (no ladder)**	6.29m/20'8"	
Overall Width (mirrors folded)	2.31m/7'7"	
Overall Height**	2.91m/9'6"	
Maximum Technical Permissible Laden Mass (A)	3500kg	
Mass in Running Order (B)	2760kg *	2777kg *
Maximum User Payload (A-B)	740kg *	723kg *
Unladen Weight	2604kg *	2621kg *
Essential Habitation Equipment	0kg	
Thermal Insulation Grade	Three	
Bed Sizes		
Front Double		
Front Nearside Single		
Front Offside Single		
Rear Double	2.08m x 1.69m / 6'10" x 5'7"	
Rear Nearside Single	1.75m x 0.68m / 5'9" x 2'3"	
Rear Offside Single	1.86m x 0.68m / 6'1" x 2'3"	
Rear Bunk (Upper)		
Rear Bunk (Lower)		
Front Drop Down Bed		

Escape 664 Standard	Escape 664 Optional
Low Line	
130 MJT	130 MJT Auto
2.3ltr	2.3ltr
96kW @ 3600rpm	96kW @ 3600rpm
320Nm @ 1800rpm	320Nm @ 1800rpm
MLWB Fiat Chassis	
3.80m/12'6"	
3	
4	
6.72m/22'1"	
2.31m/7'7"	
2.91m/9'6"	
3500kg	
2845kg	2862kg
655kg	638kg
2689kg	2706kg
0kg	
Three	
2.09m x 1.23m/0.92m / 6'9" x 4'0"/3'0"	
1.87m x 1.26m / 6'2" x 4'2"	

NOTE: 1. The **Maximum User Payload** includes:

- a) the **conventional load** (this is the allowance for passengers)
- b) **essential habitation equipment** (items and fluids required for safe and proper functioning of habitation equipment)
- c) **optional equipment** (items available from the manufacturer over and above the standard specification)
- d) **personal effects** (those items not covered by the above)

2. The **Mass in Running Order** is the mass of the unladen vehicle including a 75kg allowance for the driver plus engine coolants and 90% of the fuel tank and 1 x 6kg Calor Lite cylinder. The MRO is calculated with the fresh water tank empty. If you travel with water in the fresh water tank then the payload will reduce accordingly.

3. PLEASE TAKE CARE TO ENSURE THAT YOU HAVE ALLOWED FOR THE MASSES OF ALL ITEMS YOU INTEND TO CARRY IN THE MOTOR CARAVAN, e.g. passengers, optional equipment, essential

habitation equipment and personal effects, such as clothing, food, pets, bicycles, sailboards, sports equipment etc.

4. **WARNING** - UNDER NO CIRCUMSTANCES SHOULD THE MAXIMUM TECHNICAL PERMISSIBLE LADEN MASS OF THIS MOTOR CARAVAN BE EXCEEDED.

* Estimated

** For optional roof ladder add 125mm to length 40mm to height on Low Line

Specifications

Model	Escape 674 Standard	Escape 674 Drop Down Bed & Travelling Seat	Escape 674 Optional	Escape 674 Drop Down Bed & Travelling Seat Optional
Roof Profile	Low Line			
Engine	130 MJT		130 MJT Auto	
Engine Capacity	2.3ltr		2.3ltr	
Max Power	96kW @ 3600rpm		96kW @ 3600rpm	
Torque	320Nm @ 1800rpm		320Nm @ 1800rpm	
Chassis	Fiat / Al-Ko Chassis			
Wheel base	4.65m/15'3"			
Designated Passenger Seats excluding Driver	3	4	3	4
Berths (sleeping positions)	4	6	4	6
Overall Length (no ladder)**	7.41m/24'4"			
Overall Width (mirrors folded)	2.31m/7'7"			
Overall Height**	2.88m/9'5"			
Maximum Technical Permissible Laden Mass (A)	3500kg			
Mass in Running Order (B)	2900kg *	3000kg *	2917kg *	3017kg *
Maximum User Payload (A-B)	600kg *	500kg *	583kg *	483kg *
Unladen Weight	2767kg *	2867kg *	2784kg *	2884kg *
Essential Habitation Equipment	0kg			
Thermal Insulation Grade	Three			
Bed Sizes				
Front Double	2.09m x 1.39m/1.03m / 6'10" x 4'7"/3'5"			
Front Nearside Single				
Front Offside Single				
Rear Double	2.06m x 1.83m / 6'9" x 6'0"			
Rear Nearside Single	1.83m x 0.68m / 6'0" x 2'3"			
Rear Offside Single	1.91m x 0.68m / 6'3" x 2'3"			
Rear Bunk (Upper)				
Rear Bunk (Lower)				
Front Drop Down Bed Bed	1.93m x 1.27m / 6'4" x 4'2" (opt)			

NOTE: 1. **The Maximum User Payload** includes:
a) the **conventional load** (this is the allowance for passengers)

b) **essential habitation equipment** (items and fluids required for safe and proper functioning of habitation equipment)

c) **optional equipment** (items available from the manufacturer over and above the standard specification)

d) **personal effects** (those items not covered by the above)

2. The **Mass in Running Order** is the mass of the unladen vehicle including a 75kg allowance for the driver plus engine coolants and 90% of the fuel tank and 1 x 6kg Calor Lite cylinder.

The MRO is calculated with the fresh water tank empty. If you travel with water in the fresh water tank then the payload will reduce accordingly.

3. PLEASE TAKE CARE TO ENSURE THAT YOU HAVE ALLOWED FOR THE MASSES OF ALL ITEMS YOU INTEND TO CARRY IN THE MOTOR CARAVAN, e.g. passengers, optional equipment, essential

habitation equipment and personal effects, such as clothing, food, pets, bicycles, sailboards, sports equipment etc.

4. **WARNING** - UNDER NO CIRCUMSTANCES SHOULD THE MAXIMUM TECHNICAL PERMISSIBLE LADEN MASS OF THIS MOTOR CARAVAN BE EXCEEDED.

* Estimated

** For optional roof ladder add 125mm to length 40mm to height on Low Line

Escape 684 Standard	Escape 684 Drop Down Bed & Travelling Seat	Escape 684 Optional	Escape 684 Drop Down Bed & Travelling Seat Optional
Low Line			
130 MJT		130 MJT Auto	
2.3ltr		2.3ltr	
96kW @ 3600rpm		96kW @ 3600rpm	
320Nm @ 1800rpm		320Nm @ 1800rpm	
Fiat / Al-Ko Chassis			
4.30m/14'1"			
3	4	3	4
4	6	4	6
7.41m/24'4"			
2.31m/7'7"			
2.88m/9'5"			
3500kg			
2915kg *	3015kg *	2932kg *	3032kg *
585kg *	485kg *	568kg *	468kg *
2782kg *	2882kg *	2799kg *	2899kg *
0kg			
Three			
2.09m x 1.39m/1.03m / 6'10" x 4'7"/3'5"			
2.08m x 1.45m / 6'10" x 4'9"			
1.92m x 0.80m / 6'4" x 2'7"			
1.92m x 0.80m / 6'4" x 2'7"			
1.93m x 1.27m / 6'4" x 4'2" (opt)			

Specifications

Model	Escape 685 Standard	Escape 685 Optional
Roof Profile	Low Line	
Engine	130 MJT	130 MJT Auto
Engine Capacity	2.3ltr	2.3ltr
Max Power	96kW @ 3600rpm	96kW @ 3600rpm
Torque	320Nm @ 1800rpm	320Nm @ 1800rpm
Chassis	Fiat / Al-Ko Chassis	
Wheel base	4.65m/15'3"	
Designated Passenger Seats excluding Driver	4	
Berths (sleeping positions)	6	
Overall Length (no ladder)**	6.92m/22'8"	
Overall Width (mirrors folded)	2.31m/7'7"	
Overall Height**	2.88m/9'5"	
Maximum Technical Permissible Laden Mass (A)	3500kg	
Mass in Running Order (B)	2915kg	2932kg
Maximum User Payload (A-B)	585kg	568kg
Unladen Weight	2782kg	2799kg
Essential Habitation Equipment	0kg	
Thermal Insulation Grade	Three	
Bed Sizes		
Front Double	2.11m x 1.39/1.06m / 6'11" x 4'7"/3'5"	
Front Nearside Single		
Front Offside Single		
Rear Double	2.06m x 1.37m / 6'9" x 4'6"	
Rear Nearside Single		
Rear Offside Single		
Rear Bunk (Upper)		
Rear Bunk (Lower)		
Front Drop Down Bed	1.93m x 1.27m / 6'3" x 4'2"	

NOTE: 1. **The Maximum User Payload** includes:
a) the **conventional load** (this is the allowance for passengers)

b) **essential habitation equipment** (items and fluids required for safe and proper functioning of habitation equipment)

c) **optional equipment** (items available from the manufacturer over and above the standard specification)

d) **personal effects** (those items not covered by the above)

2. The **Mass in Running Order** is the mass of the unladen vehicle including a 75kg allowance for the driver plus engine coolants and 90% of the fuel tank and 1 x 6kg Calor Lite cylinder.
The MRO is calculated with the fresh water tank empty. If you travel with water in the fresh water tank then the payload will reduce accordingly.

3. PLEASE TAKE CARE TO ENSURE THAT YOU HAVE ALLOWED FOR THE MASSES OF ALL ITEMS YOU INTEND TO CARRY IN THE MOTOR CARAVAN, e.g. passengers, optional equipment, essential

habitation equipment and personal effects, such as clothing, food, pets, bicycles, sailboards, sports equipment etc.

4. **WARNING** - UNDER NO CIRCUMSTANCES SHOULD THE MAXIMUM TECHNICAL PERMISSIBLE LADEN MASS OF THIS MOTOR CARAVAN BE EXCEEDED.

* Estimated

** For optional roof ladder add 125mm to length 40mm to height on Low Line

Escape 694 Standard	Escape 694 Drop Down Bed & Travelling Seat	Escape 694 Optional	Escape 694 Drop Down Bed & Travelling Seat Optional
Low Line			
130 MJT		130 MJT Auto	
2.3ltr		2.3ltr	
96kW @ 3600rpm		96kW @ 3600rpm	
320Nm @ 1800rpm		320Nm @ 1800rpm	
Fiat / Al-Ko Chassis			
4.30m/14'1"			
3	4	3	4
4	6	4	6
7.41m/24'4"			
2.31m/7'7"			
2.88m/9'5"			
3500kg			
2898kg *	2998kg *	2915kg *	3015kg *
602kg *	502kg *	585kg *	485kg *
2765kg *	2865kg *	2782g *	2882kg *
0kg			
Three			
2.09m x 1.39/1.03m / 6'10" x 4'7"/3'5"			
1.83m x 1.33m / 6'0" x 4'4"			
1.93m x 1.27m / 6'4" x 4'2" (opt)			

Specifications

Model	Escape 695 Standard	Escape 695 Optional
Roof Profile	Low Line	
Engine	130 MJT	130 MJT Auto
Engine Capacity	2.3ltr	2.3ltr
Max Power	96kW @ 3600rpm	96kW @ 3600rpm
Torque	320Nm @ 1800rpm	320Nm @ 1800rpm
Chassis	Fiat / Al-Ko Chassis	
Wheel base	4.65m/15'3"	
Designated Passenger Seats excluding Driver	4	
Berths (sleeping positions)	6	
Overall Length (no ladder)**	6.92m/22'8"	
Overall Width (mirrors folded)	2.31m/7'7"	
Overall Height**	2.88m/9'5"	
Maximum Technical Permissible Laden Mass (A)	3500kg	
Mass in Running Order (B)	2925kg *	2942kg *
Maximum User Payload (A-B)	575kg *	558kg *
Unladen Weight	2792kg *	2809kg *
Essential Habitation Equipment	0kg	
Thermal Insulation Grade	Three	
Bed Sizes		
Front Double	2.11m x 1.39/1.06m / 6'11" x 4'7"/3'5"	
Front Nearside Single		
Front Offside Single		
Rear Double		
Rear Nearside Single		
Rear Offside Single		
Rear Bunk (Upper)	1.95m x 0.76m / 6'5" x 2'6"	
Rear Bunk (Lower)	1.89m x 0.73m / 6'2" x 2'5"	
Front Drop Down Bed	1.93m x 1.27m / 6'4" x 4'2"	

NOTE: 1. The **Maximum User Payload** includes:

- a) the **conventional load** (this is the allowance for passengers)
- b) **essential habitation equipment** (items and fluids required for safe and proper functioning of habitation equipment)
- c) **optional equipment** (items available from the manufacturer over and above the standard specification)
- d) **personal effects** (those items not covered by the above)

2. The **Mass in Running Order** is the mass of the unladen vehicle including a 75kg allowance for the driver plus engine coolants and 90% of the fuel tank and 1 x 6kg Calor Lite cylinder. The MRO is calculated with the fresh water tank empty. If you travel with water in the fresh water tank then the payload will reduce accordingly.

3. PLEASE TAKE CARE TO ENSURE THAT YOU HAVE ALLOWED FOR THE MASSES OF ALL ITEMS YOU INTEND TO CARRY IN THE MOTOR CARAVAN, e.g. passengers, optional equipment, essential

habitation equipment and personal effects, such as clothing, food, pets, bicycles, sailboards, sports equipment etc.

4. **WARNING** - UNDER NO CIRCUMSTANCES SHOULD THE MAXIMUM TECHNICAL PERMISSIBLE LADEN MASS OF THIS MOTOR CARAVAN BE EXCEEDED.

* Estimated

** For optional roof ladder add 125mm to length 40mm to height on Low Line

Capacities

Water Tank Capacities

	Fresh Water Tank	Waste Water Tank	Water Heater
Escape	100 litre	68 litre	10 litre

LPG Locker Capacity

	Capacity
Escape 604	2 x 6kg
Escape (all models except 604)	1 x 6kg + 1 x 13kg

NOTICE : For technical data on the base vehicle please refer to the manufacturer's handbook

Towing Capabilities

Escape Towing Capabilities

Model	MTPLM	Permissible Front Axle Load	Permissible Rear Axle Load	Recommended Maximum Trailer Weight	Gross Train Weight
Escape 604	3500kg	1850kg	2000kg	1600kg	5100kg
Escape 604	3650kg	1850kg	2000kg	1600kg	5250kg
Escape 614	3500kg	1850kg	2000kg	1600kg	5100kg
Escape 614	3650kg	1850kg	2000kg	1600kg	5250kg
Escape 622	3500kg	1850kg	2000kg	1600kg	5100kg
Escape 622	3650kg	1850kg	2000kg	1600kg	5250kg
Escape 664	3500kg	1850kg	2000kg	1600kg	5100kg
Escape 664	3650kg	1850kg	2000kg	1600kg	5250kg
Escape 674	3500kg	1850kg	2000kg	2000kg	5500kg
Escape 674	3700kg	1850kg	2000kg	2000kg	5500kg
Escape 684	3500kg	1850kg	2000kg	2000kg	5500kg
Escape 684	3700kg	1850kg	2000kg	2000kg	5500kg
Escape 685	3500kg	1850kg	2000kg	2000kg	5500kg
Escape 685	3700kg	1850kg	2000kg	2000kg	5500kg
Escape 694	3500kg	1850kg	2000kg	2000kg	5500kg
Escape 694	3700kg	1850kg	2000kg	2000kg	5500kg
Escape 695	3500kg	1850kg	2000kg	2000kg	5500kg
Escape 695	3700kg	1850kg	2000kg	2000kg	5500kg

Please note that the additional weight of the tow bar and trailer nose weight increases the rear axle loading of the motor home so care should be taken that the rear axle load is not exceeded when towing.

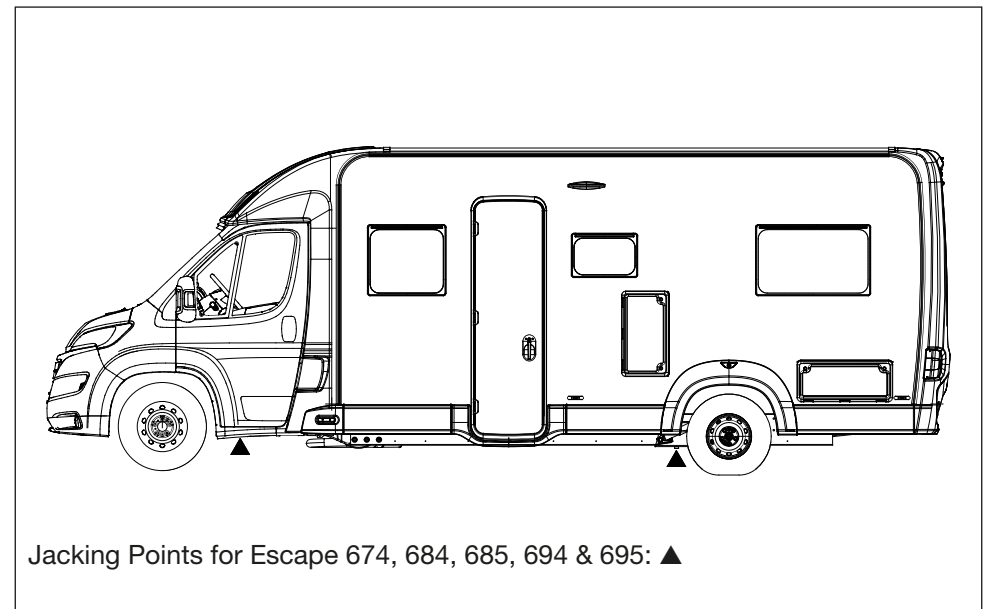
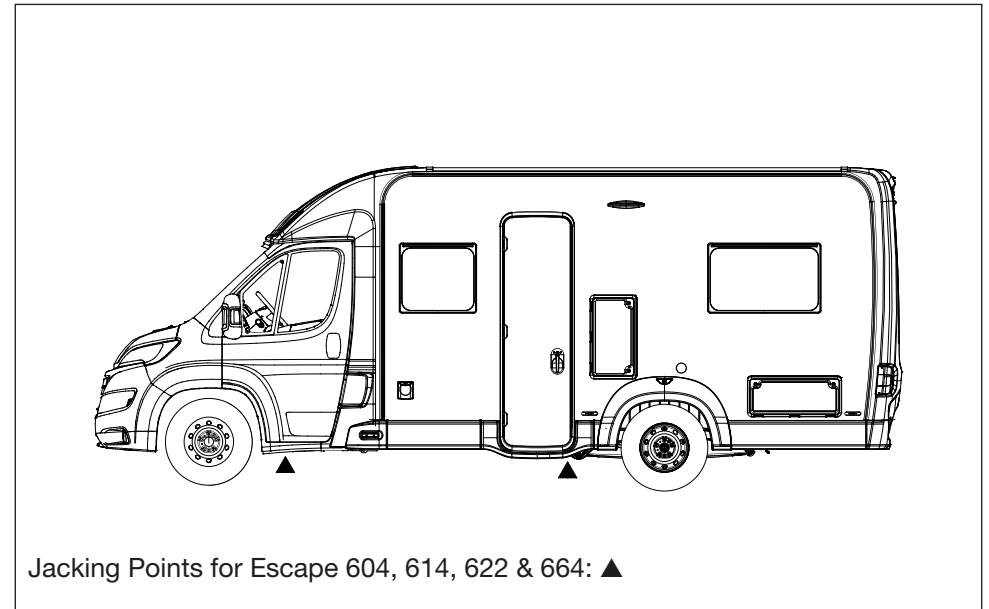
Care must be taken when distributing loads. The loadings and weights above are maximums and must not be exceeded under any circumstances.

To ensure adequate road holding, the load on the front axle, under all conditions, must not be less than 40% or more than 70% of the total weight.

CAUTION: When fitting a towbar, it must meet certain minimum requirements as specified by Type Approval Regulations. The bar will have marked on it the approval standard (94/20/EC or 55R ECE) and the maximum download, or nose weight, that it can accept. It must fit the manufacturer's approved mounting points and must not obscure the towing vehicle's number plate.

Jacking

SWIFT ESCAPE



Rio Capacities

Water Tank Capacities

	Fresh Water Tank	Waste Water Tank	Water Heater
Rio	86 litre	68 litre	10 litre

LPG Locker Capacity

	Capacity
Rio	2 x 6kg

Note: For technical data on the base vehicle please refer to the manufacturer's handbook

Rio Towing Capabilities

Rio Towing Capabilities

Model	MTPLM	Permissible Front Axle Load	Permissible Rear Axle Load	Recommended Maximum Trailer Weight	Gross Train Weight
Rio 320	3500kg	1850kg	2000kg	2000kg	5500kg
Rio 325	3500kg	1850kg	2000kg	2000kg	5500kg
Rio 340	3500kg	1850kg	2000kg	2000kg	5500kg

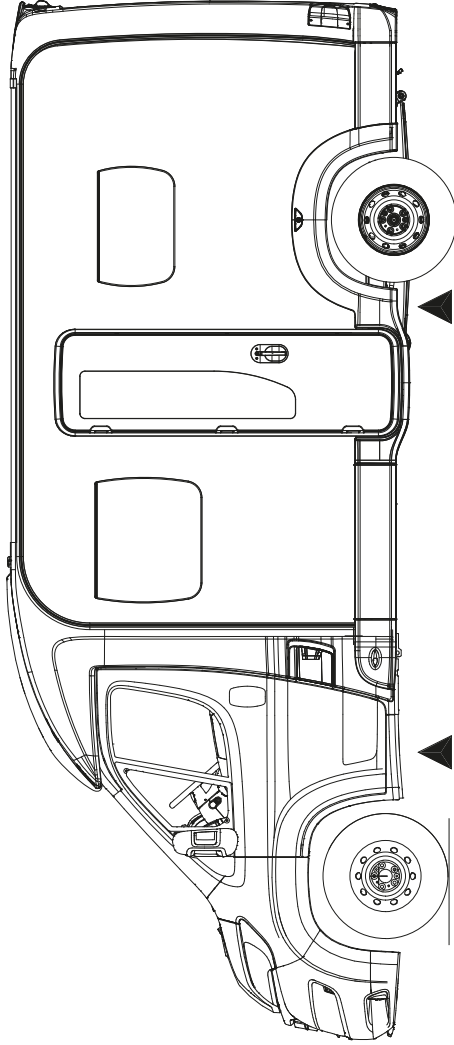
Note: That the additional weight of the tow bar and trailer nose weight increases the rear axle loading of the motor home so care should be taken that the rear axle load is not exceeded when towing.

To ensure adequate road holding, the load on the front axle, under all conditions, must not be less than 40% or more than 70% of the total weight.

Care must be taken when distributing loads. The loadings and weights above are maximums and must not be exceeded under any circumstances.

⚠ CAUTION: When fitting a towbar, it must meet certain minimum requirements as specified by Type Approval Regulations. The bar will have marked on it the approval standard (94/20/EC or 55R ECE) and the maximum download, or noseweight, that it can accept. It must fit the manufacturer's approved mounting points and must not obscure the towing vehicle's number plate.

Rio Jacking Points



Jacking Point: ▲

Bessacarr Specifications

Model	Bessacarr 512 Standard	Bessacarr 512 Optional	Bessacarr 524 Standard	Bessacarr 524 Optional
Roof Profile	Low Line		High Line	
Engine	130 MJT	130 MJT AUTO	130 MJT	130 MJT AUTO
Engine Capacity	2.3Ltr			
Max Power	96kW @ 3600rpm			
Torque	320 @ 1800rpm			
Chassis	SWB Fiat Low Line Chassis		MLWB Fiat Low Line Chassis	
Wheel base	3.00m / 9'10"		3.80m/12'6"	
Designated Passenger Seats excluding Driver	1		3	
Berths (sleeping positions)	2		4	
Overall Length (no ladder)**	5.99m / 19'8"		5.99m / 19'8"	
Overall Width (mirrors folded)	2.38m / 7'10"		2.38m/7'10"	
Overall Height**	2.82m / 9'3"		2.82m/9'3"	
Maximum Technical Permissible Laden Mass (A)	3500kg		3500kg	
Mass in Running Order (B)	2931kg	2948kg	3012kg *	3029kg *
Maximum User Payload (A-B)	569kg	552kg	488kg *	471kg *
Unladen Weight	2775kg	2792kg	2856kg *	2873kg *
Essential Habitation Equipment	0kg			
Thermal Insulation Grade	THREE			
Bed Sizes				
Front Double	2.01m x 1.30m / 6'7" x 4'3"			
Front Nearside Single	1.87m x 0.68m / 6'2" x 2'3"			
Front Offside Single	1.87m x 0.68m / 6'2" x 2'3"			
Rear Double				
Rear Nearside Single				
Rear Offside Single				
Manual Drop Down Bed				

NOTE: 1. The **Maximum User Payload** includes:
a) the **conventional load** (this is the allowance for passengers)
b) **essential habitation equipment** (items and fluids required for safe and proper functioning of habitation equipment)
c) **optional equipment** (items available from the manufacturer over and above the standard specification)
d) **personal effects** (those items not covered by the above)
2. The **Mass in Running Order** is the mass of the unladen vehicle including a 75kg allowance for the

driver plus engine coolants and 90% of the fuel tank and 1 x 6kg Calor Lite LPG cylinder.
3. The Mass in running order is calculated with the fresh water tank and water heater empty. If you travel with water in the fresh water tank or water heater then the payload will reduce accordingly.
4. PLEASE TAKE CARE TO ENSURE THAT YOU HAVE ALLOWED FOR THE MASSES OF ALL ITEMS YOU INTEND TO CARRY IN THE MOTOR CARAVAN, e.g. passengers, optional equipment, essential habitation equipment and personal effects, such as clothing, food, pets, bicycles, sailboards, sports equipment etc.

5. **WARNING** - UNDER NO CIRCUMSTANCES SHOULD THE MAXIMUM TECHNICAL PERMISSIBLE LADEN MASS OF THIS MOTOR CARAVAN BE EXCEEDED.
* Estimated
** For Optional Roof Ladder (Add 125mm length and 40mm height)

Bessacarr 542 Standard	Bessacarr 542 Optional	Bessacarr 560 Standard	Bessacarr 560 Optional Engine	Bessacarr 560 Lounge Standard	Bessacarr 560 Lounge Optional Engine
Low Line		Low Line			
130 MJT		130 MJT	130 MJT AUTO	130 MJT	130 MJT AUTO
2.3Ltr		2.3Ltr			
96kW @ 3600rpm		96kW @ 3600rpm			
320 @ 1800rpm		320 @ 1800 rpm			
LWB Fiat Low Line Chassis		LWB Fiat Low Line Chassis			
4.04m/13'3"		4.04m/13'3"			
1		3		1	
2		4			
7.37m/24'2"		7.09m/23'3"			
2.38m/7'10"		2.38m/7'10"			
2.82m/9'3"		2.82m/9'3"			
3500kg		3500kg			
3084kg *	3101kg *	3112kg *	3129kg *	3072kg *	3089kg *
416kg *	399kg *	388kg *	371kg *	428kg *	411g *
2928kg *	2945kg *	2956kg *	2973kg *	2916kg *	2933kg *
0kg		0kg			
Three		THREE			
2.01m x 1.42m / 6'7" x 4'8"		2.09m x 1.23m / 1.03m / 6'10" x 4'0" / 3'5"			
1.88m x 0.68m / 6'2" x 2'3"					
1.88m x 0.68m / 6'2" x 2'3"					
		1.90m x 1.26m / 6'3" x 4'2"			

Bessacarr Specifications

Model	Bessacarr 562 Standard	Bessacarr 562 Optional Engine
Roof Profile	Low Line	
Engine	130 MJT	130 MJT AUTO
Engine Capacity	2.3Ltr	
Max Power	96kW @ 3600rpm	
Torque	320 @ 1800rpm	
Chassis	MWB Fiat Low Line Chassis	
Wheel base	3.45m/11'4"	
Designated Passenger Seats excluding Driver	1	
Berths (sleeping positions)	2	
Overall Length (no ladder)**	6.54m/21'5"	
Overall Width (mirrors folded)	2.38m/7'10"	
Overall Height**	2.82m/9'3"	
Maximum Technical Permissible Laden Mass (A)	3500kg	
Mass in Running Order (B)	2990kg	3007kg
Maximum User Payload (A-B)	510kg	493kg
Unladen Weight	2834kg	2851kg
Essential Habitation Equipment	0kg	
Thermal Insulation Grade	THREE	
Bed Sizes		
Front Double		
Front Nearside Single		
Front Offside Single		
Rear Double	2.02m x 1.82m / 6'08" x 6'0"	
Rear Nearside Single	1.82m x 0.69m / 6'0" x 2'3"	
Rear Offside Single	1.82m x 0.69m / 6'0" x 2'3"	
Manual Drop Down Bed		

NOTE: 1. The **Maximum User Payload** includes:
a) the **conventional load** (this is the allowance for passengers)
b) **essential habitation equipment** (items and fluids required for safe and proper functioning of habitation equipment)
c) **optional equipment** (items available from the manufacturer over and above the standard specification)
d) **personal effects** (those items not covered by the above)
2. The **Mass in Running Order** is the mass of the unladen vehicle including a 75kg allowance for the

driver plus engine coolants and 90% of the fuel tank and 1 x 6kg Calor Lite LPG cylinder.
3. The Mass in running order is calculated with the fresh water tank and water heater empty. If you travel with water in the fresh water tank or water heater then the payload will reduce accordingly.
4. PLEASE TAKE CARE TO ENSURE THAT YOU HAVE ALLOWED FOR THE MASSES OF ALL ITEMS YOU INTEND TO CARRY IN THE MOTOR CARAVAN, e.g. passengers, optional equipment, essential habitation equipment and personal effects, such as clothing, food, pets, bicycles, sailboards, sports equipment etc.

5. **WARNING** - UNDER NO CIRCUMSTANCES SHOULD THE MAXIMUM TECHNICAL PERMISSIBLE LADEN MASS OF THIS MOTOR CARAVAN BE EXCEEDED.
* Estimated
** For Optional Roof Ladder (Add 125mm length and 40mm height)

Bessacarr 574			
Low Line			
130 MJT	130 MJT AUTO (Option)	150 MJT (Option)	150 MJT AUTO (Option)
2.3Ltr		2.3Ltr	
96kW @ 3600rpm		110kW @ 3600rpm	
320 @ 1800rpm		380Nm @ 1500rpm	
Fiat / AL-KO Low Line Chassis			
4.40m/14'5"			
3			
4			
7.77m/25'6"			
2.38m/7'10"			
2.76m/9'1"			
3850kg			
3266kg *	3283kg *	3282kg *	3299kg *
584kg *	567kg *	568kg *	551kg *
3110kg *	3127kg *	3126kg *	3143kg *
0kg			
THREE			
2.09m x 1.23m / 1.03m / 6'10" x 4'0" / 3'5"			
2.01m x 0.75m / 6'7" x 2'5"			
1.92m x 0.75m / 6'4" x 2'5"			

Bessacarr Specifications

Model	Bessacarr 574 Lounge			
Roof Profile	Low Line			
Engine	130 MJT	130 MJT AUTO (Option)	150 MJT (Option)	150 MJT AUTO (Option)
Engine Capacity	2.3Ltr		2.3Ltr	
Max Power	96kW @ 3600rpm		110kW @ 3600rpm	
Torque	320 @ 1800 rpm		380Nm @ 1500rpm	
Chassis	Fiat / AL-KO Low Line Chassis			
Wheel base	4.04m/13'3"			
Designated Passenger Seats excluding Driver	1			
Berths (sleeping positions)	4			
Overall Length (no ladder)**	7.77m/25'6"			
Overall Width (mirrors folded)	2.38m/7'10"			
Overall Height**	2.76m/9'1"			
Maximum Technical Permissible Laden Mass (A)	3500kg			
Mass in Running Order (B)	3216kg *	3233kg *	3232kg *	3249kg *
Maximum User Payload (A-B)	284kg *	267kg *	268kg *	251kg *
Unladen Weight	3060kg *	30771kg *	3076kg *	3093kg *
Essential Habitation Equipment	0kg			
Thermal Insulation Grade	THREE			
Bed Sizes				
Front Double	2.01m x 1.20m / 1.03m / 6'7" x 3'11" / 3'5"			
Front Nearside Single				
Front Offside Single				
Rear Double				
Rear Nearside Single	2.01m x 0.75m / 6'7" x 2'5"			
Rear Offside Single	1.92m x 0.75m / 6'4" x 2'5"			
Manual Drop Down Bed				

Bessacarr 584			
Low Line			
130 MJT	130 MJT AUTO	150 MJT (Option)	150 MJT AUTO (Option)
2.3Ltr		2.3Ltr	
96kW @ 3600rpm		110kW @ 3600rpm	
320 @ 1800rpm		380Nm @ 1500rpm	
Fiat / AL-KO Low Line Chassis			
3.45m/11'4"			
3			
4			
7.77m/25'6"			
2.38m/7'10"			
2.76m/9'1"			
3500kg			
3190kg *	3207kg *	3206kg *	3223kg *
660kg *	643kg *	644kg *	627kg *
3034kg *	3051kg *	3050kg *	3067kg *
0kg			
THREE			
2.09m x 1.23m / 1.03m / 6'10" x 4'0" / 3'5"			
1.99m x 1.31m / 6'6" x 4'4"			

NOTE: 1. The **Maximum User Payload** includes:
a) the **conventional load** (this is the allowance for passengers)
b) **essential habitation equipment** (items and fluids required for safe and proper functioning of habitation equipment)
c) **optional equipment** (items available from the manufacturer over and above the standard specification)
d) **personal effects** (those items not covered by the above)
2. The **Mass in Running Order** is the mass of the unladen vehicle including a 75kg allowance for the

driver plus engine coolants and 90% of the fuel tank and 1 x 6kg Calor Lite LPG cylinder.
3. The Mass in running order is calculated with the fresh water tank and water heater empty. If you travel with water in the fresh water tank or water heater then the payload will reduce accordingly.
4. PLEASE TAKE CARE TO ENSURE THAT YOU HAVE ALLOWED FOR THE MASSES OF ALL ITEMS YOU INTEND TO CARRY IN THE MOTOR CARAVAN, e.g. passengers, optional equipment, essential habitation equipment and personal effects, such as clothing, food, pets, bicycles, sailboards, sports equipment etc.

5. **WARNING** - UNDER NO CIRCUMSTANCES SHOULD THE MAXIMUM TECHNICAL PERMISSIBLE LADEN MASS OF THIS MOTOR CARAVAN BE EXCEEDED.
* Estimated
** For Optional Roof Ladder (Add 125mm length and 40mm height)

Bessacarr Specifications

Model	Bessacarr 584 Lounge			
Roof Profile	Low Line			
Engine	130 MJT	130 MJT AUTO (Option)	150 MJT (Option)	150 MJT AUTO (Option)
Engine Capacity	2.3Ltr			
Max Power	96kW @ 3600rpm		110kW @ 3600rpm	
Torque	320 @ 1800 rpm		380Nm @ 1500rpm	
Chassis	Fiat / AL-KO Low Line Chassis			
Wheel base	4.40m/14'5"			
Designated Passenger Seats excluding Driver	1			
Berths (sleeping positions)	4			
Overall Length (no ladder)**	7.77m/25'6"			
Overall Width (mirrors folded)	2.38m/7'10"			
Overall Height**	2.76m/9'1"			
Maximum Technical Permissible Laden Mass (A)	3500kg			
Mass in Running Order (B)	3140kg *	3157kg *	3156kg *	3173kg *
Maximum User Payload (A-B)	360kg *	343kg *	344kg *	327kg *
Unladen Weight	2984kg *	3001kg *	3000kg *	3017kg *
Essential Habitation Equipment	0kg			
Thermal Insulation Grade	THREE			
Bed Sizes				
Front Double	2.01m x 1.20m / 1.03m / 6'7" x 3'11" / 3'5"			
Front Nearside Single				
Front Offside Single				
Rear Double	1.99m x 1.31m / 6'6" x 4'4"			
Rear Nearside Single				
Rear Offside Single				
Manual Drop Down Bed				

Bessacarr 596			
High Line			
130 MJT	130 MJT AUTO (Option)	150 MJT (Option)	150 MJT AUTO (Option)
2.3Ltr			
96kW @ 3600rpm		110kW @ 3600rpm	
320 @ 1800rpm		380Nm @ 1500rpm	
Fiat / AL-KO Low Line Chassis			
4.70m/15'5"			
5			
6			
8.11m/26'7"			
2.38m/7'10"			
2.82m/9'3"			
4250kg			
3412kg *	3429kg *	3428kg *	3445kg *
838kg *	821kg *	822kg *	805kg *
3256kg *	3273kg *	3272kg *	3289kg *
0kg			
THREE			
2.09m x 1.80m / 1.21m / 6'10" x 5'11" / 4'0"			
2.02m x 1.63m / 6'8" x 5'4"			
1.73m x 0.69m / 5'8" x 2'3"			
1.63m x 0.69m / 5'4" x 2'3"			
1.96m x 1.33m / 6'5" x 4'4"			

NOTE: 1. The **Maximum User Payload** includes:

- a) the **conventional load** (this is the allowance for passengers)
- b) **essential habitation equipment** (items and fluids required for safe and proper functioning of habitation equipment)
- c) **optional equipment** (items available from the manufacturer over and above the standard specification)
- d) **personal effects** (those items not covered by the above)

2. The **Mass in Running Order** is the mass of the unladen vehicle including a 75kg allowance for the

driver plus engine coolants and 90% of the fuel tank and 1 x 6kg Calor Lite LPG cylinder.

3. The Mass in running order is calculated with the fresh water tank and water heater empty. If you travel with water in the fresh water tank or water heater then the payload will reduce accordingly.

4. PLEASE TAKE CARE TO ENSURE THAT YOU HAVE ALLOWED FOR THE MASSES OF ALL ITEMS YOU INTEND TO CARRY IN THE MOTOR CARAVAN, e.g. passengers, optional equipment, essential habitation equipment and personal effects, such as clothing, food, pets, bicycles, sailboards, sports equipment etc.

5. **WARNING** - UNDER NO CIRCUMSTANCES SHOULD THE MAXIMUM TECHNICAL PERMISSIBLE LADEN MASS OF THIS MOTOR CARAVAN BE EXCEEDED.

* Estimated

** For Optional Roof Ladder (Add 125mm length and 40mm height)

Bessacarr Specifications

Model	Bessacarr 597			
Roof Profile	Low Line			
Engine	130 MJT	130 MJT AUTO (Option)	150 MJT (Option)	150 MJT AUTO (Option)
Engine Capacity	2.3Ltr			
Max Power	96kW @ 3600rpm		110kW @ 3600rpm	
Torque	320 @ 1800rpm		380Nm @ 1500rpm	
Chassis	Fiat / AL-KO Low Line Chassis			
Wheel base	4.70m/15'5"			
Designated Passenger Seats excluding Driver	3			
Berths (sleeping positions)	4			
Overall Length (no ladder)**	8.11m/26'7"			
Overall Width (mirrors folded)	2.38m/7'10"			
Overall Height**	2.76m/9'1"			
Maximum Technical Permissible Laden Mass (A)	3850kg			
Mass in Running Order (B)	3322kg *	3339kg *	3338kg *	3355kg *
Maximum User Payload (A-B)	528kg *	511kg *	512kg *	495kg *
Unladen Weight	3166kg *	3183kg *	3182kg *	3199kg *
Essential Habitation Equipment	0kg			
Thermal Insulation Grade	THREE			
Bed Sizes				
Front Double	2.09m x 1.23m / 1.03m / 6'10" x 4'0" / 3'5"			
Front Nearside Single				
Front Offside Single				
Rear Double	2.16m x 1.20m / 7'1" x 3'11"			
Rear Nearside Single	1.99m x 0.81m / 6'6" x 2'8"			
Rear Offside Single	1.99m x 0.81m / 6'6" x 2'8"			
Manual Drop Down Bed				

Bessacarr 597 Lounge				
Low Line				
130 MJT	130 MJT AUTO (Option)	150 MJT (Option)	150 MJT AUTO (Option)	
2.3Ltr				
96kW @ 3600rpm		110kW @ 3600rpm		
320 @ 1800rpm		380Nm @ 1500rpm		
Fiat / AL-KO Low Line Chassis				
4.70m/15'5"				
1				
4				
8.11m/26'7"				
2.38m/7'10"				
2.76m/9'1"				
3500kg				
3272kg *	3289kg *	3288kg *	3305kg *	
228kg *	211kg *	212kg *	195kg *	
3116kg *	3133kg *	3132kg *	3149kg *	
0kg				
THREE				
2.01m x 1.20m / 1.03m / 6'7" x 3'11" / 3'5"				
2.16m x 1.20m / 7'1" x 3'11"				
1.99m x 0.81m / 6'6" x 2'8"				
1.99m x 0.81m / 6'6" x 2'8"				

NOTE: 1. The **Maximum User Payload** includes:

- a) the **conventional load** (this is the allowance for passengers)
- b) **essential habitation equipment** (items and fluids required for safe and proper functioning of habitation equipment)
- c) **optional equipment** (items available from the manufacturer over and above the standard specification)
- d) **personal effects** (those items not covered by the above)

2. The **Mass in Running Order** is the mass of the unladen vehicle including a 75kg allowance for the

driver plus engine coolants and 90% of the fuel tank and 1 x 6kg Calor Lite LPG cylinder.

3. The Mass in running order is calculated with the fresh water tank and water heater empty. If you travel with water in the fresh water tank or water heater then the payload will reduce accordingly.

4. PLEASE TAKE CARE TO ENSURE THAT YOU HAVE ALLOWED FOR THE MASSES OF ALL ITEMS YOU INTEND TO CARRY IN THE MOTOR CARAVAN, e.g. passengers, optional equipment, essential habitation equipment and personal effects, such as clothing, food, pets, bicycles, sailboards, sports equipment etc.

5. **WARNING - UNDER NO CIRCUMSTANCES SHOULD THE MAXIMUM TECHNICAL PERMISSIBLE LADEN MASS OF THIS MOTOR CARAVAN BE EXCEEDED.**

* Estimated

** For Optional Roof Ladder (Add 125mm length and 40mm height)

Capacities

Water Tank Capacities

	Fresh Water Tank	Waste Water Tank	Water Heater
Bessacarr	90 litre	68 litre	10 litre
Bessacarr 562	94 litre	60 litre	10 litre

LPG Locker Capacity

	Capacity
Bessacarr	2 x 13kg
Bessacarr 524	2 x 6kg

Note: For technical data on the base vehicle please refer to the manufacturer's handbook

Bessacarr Towing Capabilities

Bessacarr Towing Capabilities

Model	MTPLM	Permissible Front Axle Load	Permissible Rear Axle Load	Recommended Maximum Trailer Weight	Gross Train Weight
Bessacarr 512**	3500kg	1850kg	2000kg	1600kg	5100kg
Bessacarr 524**	3500kg	1850kg	2000kg	1600kg	5100kg
Bessacarr 542**	3500kg	1850kg	2000kg	1600kg	5100kg
Bessacarr 560**	3500kg	1850kg	2000kg	1600kg	5100kg
Bessacarr 560 Lounge**	3500kg	1850kg	2000kg	1600kg	5100kg
Bessacarr 562**	3500kg	1850kg	2000kg	1600kg	5100kg
Bessacarr 574**	3850kg	1850kg	2000kg	2000kg	5500kg
Bessacarr 574 Lounge**	3500kg	1850kg	2000kg	2000kg	5500kg
Bessacarr 584 **	3850kg	1850kg	2000kg	2000kg	5500kg
Bessacarr 584 Lounge**	3500kg	1850kg	2000kg	2000kg	5500kg
Bessacarr 596**	4250kg	2100kg	2500kg	2000kg	6000kg
Bessacarr 597**	3850kg	1850kg	2000kg	2000kg	5500kg
Bessacarr 597 lounge**	3500kg	1850kg	2000kg	2000kg	5500kg
Bessacarr 599**	3850kg	1850kg	2000kg	2000kg	5500kg
Bessacarr 599 lounge**	3500kg	1850kg	2000kg	2000kg	5500kg

⚠ CAUTION: When fitting a towbar, it must meet certain minimum requirements as specified by Type Approval Regulations. The bar will have marked on it the approval standard (94/20/EC or 55R ECE) and the maximum download, or noseweight, that it can accept. It must fit the manufacturer's approved mounting points and must not obscure the towing vehicle's number plate.

Please note that the additional weight of the tow bar and trailer nose weight increases the rear axle loading of the motor home so care should be taken that the rear axle load is not exceeded when towing.

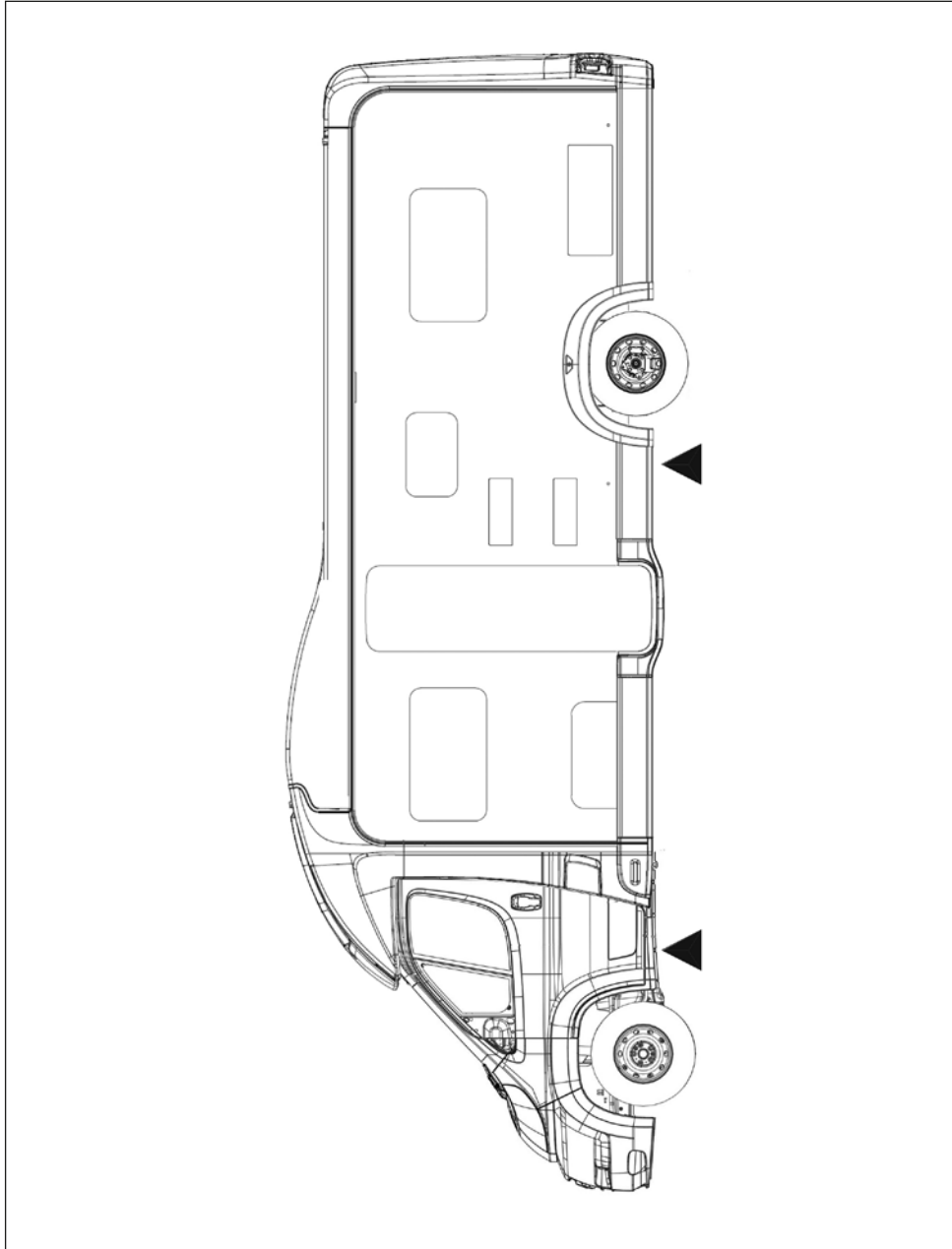
** With this vehicle configuration it will be necessary to reduce the payload carried inside the van when towing to ensure that the MTPLM and maximum axle loads are not exceeded.

The maximum trailer weight is limited by the gross train weight which must not be exceeded. For example if the vehicle is at the maximum MTPLM of 3700kg, then the maximum trailer weight possible is 1800kg. Reducing the weight of the vehicle by removing payload, will allow you to increase the trailer weight up to a maximum of 2000kg.

To ensure adequate road holding, the load on the front axle, under all conditions, must not be less than 40% or more than 70% of the total weight.

Care must be taken when distributing loads. The loadings and weights above are maximums and must not be exceeded under any circumstances.

Bessacarr Jacking Points



Kon-tiki Specifications

Model	Kon-Tiki 625			
Roof Profile	Low Line			
Engine	150 MJT	150 MJT Auto (Option)	180 MJT (Option)	180 MJT Auto (Option)
Engine Capacity	2.3Ltr	2.3Ltr	2.3Ltr	2.3Ltr
Max Power	110kW @ 3600rpm	110kW @ 3600rpm	131kW @ 3500rpm	131kW @ 3500rpm
Torque	380Nm @ 1500rpm	380Nm @ 1500rpm	400Nm @ 1500rpm	400Nm @ 1500rpm
Chassis	Fiat AL-KO low line			
Wheel base	4.60m /15' 1"			
Designated Passenger Seats	3			
Berths (sleeping positions)	4			
Overall Length**	8.06m/ 26' 5"			
Overall Width (mirrors folded)	2.35m/ 7' 8"			
Overall Height***	2.98m/ 9' 9"			
Maximum Technical Permissible Laden Mass (A)	4250kg			
Mass in Running Order (B)	3697kg	3714kg	3697kg	3714kg
Maximum User Payload (A-B)	553kg	536kg	553kg	536kg
Unladen Weight	3541kg	3558kg	3541kg	3558kg
Essential Habitation Equipment	0kg			
Thermal Insulation Grade	THREE			
Bed Sizes				
Front Double	2.08m x 1.17m/ 6'10" x 3'10"			
Front Offside Single				
Rear Double	1.86m x 1.30m/ 6'1" x 4'3"			
Rear Offside Single				
Rear Nearside Single				
Overcab Bed				

Model	Kon-Tiki 625			
Roof Profile	High Line			
Engine	150 MJT	150 MJT Auto (Option)	180 MJT (Option)	180 MJT Auto (Option)
Engine Capacity	2.3Ltr	2.3Ltr	2.3Ltr	2.3Ltr
Max Power	110kW @ 3600rpm	110kW @ 3600rpm	131kW @ 3500rpm	131kW @ 3500rpm
Torque	380Nm @ 1500rpm	380Nm @ 1500rpm	400Nm @ 1500rpm	400Nm @ 1500rpm
Chassis	Fiat AL-KO low line			
Wheel base	4.60m /15' 1"			
Designated Passenger Seats	3			
Berths (sleeping positions)	6			
Overall Length**	8.06m/ 26' 5"			
Overall Width (mirrors folded)	2.35m/ 7' 8"			
Overall Height***	3.08m/ 10' 1"			
Maximum Technical Permissible Laden Mass (A)	4250kg			
Mass in Running Order (B)	3757kg	3774kg	3757kg	3774kg
Maximum User Payload (A-B)	493kg	476kg	493kg	476kg
Unladen Weight	3601kg	3618kg	3601kg	3618kg
Essential Habitation Equipment	0kg			
Thermal Insulation Grade	THREE			
Bed Sizes				
Front Double	2.08m x 1.17m/ 6'10" x 3'10"			
Front Offside Single				
Rear Double	1.86m x 1.30m/ 6'1" x 4'3"			
Rear Offside Single				
Rear Nearside Single				
Overcab Bed	1.91m x 1.37m/ 6'3" x 4'6"			

NOTE: 1. The **Maximum User Payload** includes:

- a) the **conventional load** (this is the allowance for passengers)
- b) **essential habitation equipment** (items and fluids required for safe and proper functioning of habitation equipment)
- c) **optional equipment** (items available from the manufacturer over and above the standard specification)
- d) **personal effects** (those items not covered by the above)

2. The **Mass in Running Order** is the mass of the unladen vehicle including a 75kg allowance for the driver plus engine coolants and 90% of the fuel tank and 1 x 6kg Calor Lite LPG cylinder.
3. The MRO is calculated with the fresh water tank and water heater empty. If you travel with water in the fresh water tank or water heater then the payload will reduce accordingly.
4. PLEASE TAKE CARE TO ENSURE THAT YOU HAVE ALLOWED FOR THE MASSES OF ALL ITEMS YOU INTEND TO CARRY IN THE MOTOR CARAVAN, e.g. passengers, optional equipment, essential habitation equipment and personal effects, such as clothing, food, pets, bicycles, sailboards, sports equipment etc.

5. **WARNING** - UNDER NO CIRCUMSTANCES SHOULD THE MAXIMUM TECHNICAL PERMISSIBLE LADEN MASS OF THIS MOTOR CARAVAN BE EXCEEDED.

- * Estimated
- ** Add 120mm to length if ladder option fitted.
- *** Add 100mm to height on low line if ladder option fitted.

Kon-tiki Specifications

Model	Kon-Tiki 635			
Roof Profile	Low Line			
Engine	150 MJT	150 MJT Auto (Option)	180 MJT (Option)	180 MJT Auto (Option)
Engine Capacity	2.3Ltr	2.3Ltr	2.3Ltr	2.3Ltr
Max Power	110kW @ 3600rpm	110kW @ 3600rpm	131kW @ 3500rpm	131kW @ 3500rpm
Torque	380Nm @ 1500rpm	380Nm @ 1500rpm	400Nm @ 1500rpm	400Nm @ 1500rpm
Chassis	Fiat AL-KO low line			
Wheel base	4.60m /15' 1"			
Designated Passenger Seats	3			
Berths (sleeping positions)	4			
Overall Length**	8.06m/ 26' 5"			
Overall Width (mirrors folded)	2.35m/ 7' 8"			
Overall Height***	2.98m/ 9' 9"			
Maximum Technical Permissible Laden Mass (A)	4250kg			
Mass in Running Order (B)	3687kg	3704kg	3687kg	3704kg
Maximum User Payload (A-B)	563kg	546kg	563kg	546kg
Unladen Weight	3531kg	3548kg	3531kg	3548kg
Essential Habitation Equipment	0kg			
Thermal Insulation Grade	THREE			
Bed Sizes				
Front Double	2.04m x 0.96m/ 6'8" x 3'2"			
Front Offside Single				
Rear Double	2.03m x 1.23m/ 6'8" x 4'0"			
Rear Offside Single	1.87m x 0.80m/ 6'2" x 2'7"			
Rear Nearside Single	1.87m x 0.80m/ 6'2" x 2'7"			
Overcab Bed				

Model	Kon-Tiki 635			
Roof Profile	High Line			
Engine	150 MJT	150 MJT Auto (Option)	180 MJT (Option)	180 MJT Auto (Option)
Engine Capacity	2.3Ltr	2.3Ltr	2.3Ltr	2.3Ltr
Max Power	110kW @ 3600rpm	110kW @ 3600rpm	131kW @ 3500rpm	131kW @ 3500rpm
Torque	380Nm @ 1500rpm	380Nm @ 1500rpm	400Nm @ 1500rpm	400Nm @ 1500rpm
Chassis	Fiat AL-KO low line			
Wheel base	4.60m /15' 1"			
Designated Passenger Seats	3			
Berths (sleeping positions)	6			
Overall Length**	8.06m/ 26' 5"			
Overall Width (mirrors folded)	2.35m/ 7' 8"			
Overall Height***	3.08m/ 10' 1"			
Maximum Technical Permissible Laden Mass (A)	4250kg			
Mass in Running Order (B)	3747kg	3764kg	3747kg	3764kg
Maximum User Payload (A-B)	503kg	486kg	503kg	486kg
Unladen Weight	3591kg	3608kg	3591kg	3608kg
Essential Habitation Equipment	0kg			
Thermal Insulation Grade	THREE			
Bed Sizes				
Front Double	2.04m x 0.96m/ 6'8" x 3'2"			
Front Offside Single				
Rear Double	2.03m x 1.23m/ 6'8" x 4'0"			
Rear Offside Single	1.87m x 0.80m/ 6'2" x 2'7"			
Rear Nearside Single	1.87m x 0.80m/ 6'2" x 2'7"			
Overcab Bed	1.91m x 1.37m/ 6'3" x 4'6"			

NOTE: 1. The **Maximum User Payload** includes:

- the **conventional load** (this is the allowance for passengers)
- essential habitation equipment** (items and fluids required for safe and proper functioning of habitation equipment)
- optional equipment** (items available from the manufacturer over and above the standard specification)
- personal effects** (those items not covered by the above)

- The **Mass in Running Order** is the mass of the unladen vehicle including a 75kg allowance for the driver plus engine coolants and 90% of the fuel tank and 1 x 6kg Calor Lite LPG cylinder.
- The MRO is calculated with the fresh water tank and water heater empty. If you travel with water in the fresh water tank or water heater then the payload will reduce accordingly.
- PLEASE TAKE CARE TO ENSURE THAT YOU HAVE ALLOWED FOR THE MASSES OF ALL ITEMS YOU INTEND TO CARRY IN THE MOTOR CARAVAN,** e.g. passengers, optional equipment, essential habitation equipment and personal effects, such as clothing, food, pets, bicycles, sailboards, sports equipment etc.

5. **WARNING** - UNDER NO CIRCUMSTANCES SHOULD THE MAXIMUM TECHNICAL PERMISSIBLE LADEN MASS OF THIS MOTOR CARAVAN BE EXCEEDED.

- * Estimated
- ** Add 120mm to length if ladder option fitted.
- *** Add 100mm to height on low line if ladder option fitted.

Kon-tiki Specifications

Model	Kon-Tiki 679			
Roof Profile	High Line			
Engine	150 MJT	150 MJT Auto (Option)	180 MJT (Option)	180 MJT Auto (Option)
Engine Capacity	2.3Ltr	2.3Ltr	2.3Ltr	2.3Ltr
Max Power	110kW @ 3600rpm	110kW @ 3600rpm	131kW @ 3500rpm	131kW @ 3500rpm
Torque	380Nm @ 1500rpm	380Nm @ 1500rpm	400Nm @ 1500rpm	400Nm @ 1500rpm
Chassis	Fiat AL-KO low line			
Wheel base	4.60m /15' 1" - 0.80m/2' 7"			
Designated Passenger Seats	3			
Berths (sleeping positions)	6			
Overall Length*	8.56m/ 28' 1"			
Overall Width (mirrors folded)	2.35m/ 7' 8"			
Overall Height**	3.08m/ 10' 1"			
Maximum Technical Permissible Laden Mass (A)	5000kg			
Mass in Running Order (B)	4180kg	4197kg	4180kg	4197kg
Maximum User Payload (A-B)	820kg	803kg	820kg	803kg
Unladen Weight	4024kg	4041kg	4024kg	4041kg
Essential Habitation Equipment	0kg			
Thermal Insulation Grade	THREE			
Bed Sizes				
Front Double	2.08m x 1.38m/ 6'10" x 4'6"			
Front Offside Single				
Rear Double	2.04m x 1.30m/ 6'8" x 4'3"			
Rear Offside Single				
Rear Nearside Single				
Overcab Bed	1.91m x 1.37m/ 6'3" x 4'6"			

NOTE: 1. **The Maximum User Payload** includes:

- the **conventional load** (this is the allowance for passengers)
- essential habitation equipment** (items and fluids required for safe and proper functioning of habitation equipment)
- optional equipment** (items available from the manufacturer over and above the standard specification)
- personal effects** (those items not covered by the above)

- The **Mass in Running Order** is the mass of the unladen vehicle including a 75kg allowance for the driver plus engine coolants and 90% of the fuel tank and 1 x 6kg Calor Lite LPG cylinder.
- The MRO is calculated with the fresh water tank and water heater empty. If you travel with water in the fresh water tank or water heater then the payload will reduce accordingly.
- PLEASE TAKE CARE TO ENSURE THAT YOU HAVE ALLOWED FOR THE MASSES OF ALL ITEMS YOU INTEND TO CARRY IN THE MOTOR CARAVAN,** e.g. passengers, optional equipment, essential habitation equipment and personal effects, such as clothing, food, pets, bicycles, sailboards, sports equipment etc.

- WARNING - UNDER NO CIRCUMSTANCES SHOULD THE MAXIMUM TECHNICAL PERMISSIBLE LADEN MASS OF THIS MOTOR CARAVAN BE EXCEEDED.**

- * Estimated
- ** Add 120mm to length if ladder option fitted.
- *** Add 100mm to height on low line if ladder option fitted.

Kon-tiki Capacities

Water Tank Capacities

	Fresh Water Tank	Waste Water Tank	Water Heater
Kon-Tiki	125 litre	100 litre	8.5 litre

LPG Locker Capacity

	Capacity
Kon-Tiki	2 x 13kg

Note: For technical data on the base vehicle please refer to the manufacturer's handbook

Kon-tiki Towing Capabilities

Kon-Tiki Towing Capabilities

Model	MTPLM	Permissible Front Axle Load
Kon-Tiki 625 (L)	4250kg	2100kg
Kon-Tiki 625 (H)	4250kg	2100kg
Kon-Tiki 635 (L)	4250kg	2100kg
Kon-Tiki 635 (H)	4250kg	2100kg
Kon-Tiki 649 (H)	5000kg	2100kg
Kon-Tiki 669 (L)	5000kg	2100kg
Kon-Tiki 669 (H)	5000kg	2100kg
Kon-Tiki 679 (L)	5000kg	2100kg
Kon-Tiki 679 (H)	5000kg	2100kg

⚠ CAUTION: When fitting a towbar, it must meet certain minimum requirements as specified by Type Approval Regulations. The bar will have marked on it the approval standard (94/20/EC or 55R ECE) and the maximum download, or noseweight, that it can accept. It must fit the manufacturer's approved mounting points and must not obscure the towing vehicle's number plate.

The maximum trailer weight is limited by the Gross Train Weight which must not be exceeded. For example, if the vehicle is at the maximum MTPLM of 5000kg, then the maximum trailer weight possible is 1000kg. Reducing the weight of the vehicle by removing payload, will allow you to increase the trailer weight up to a maximum of 1600kg.

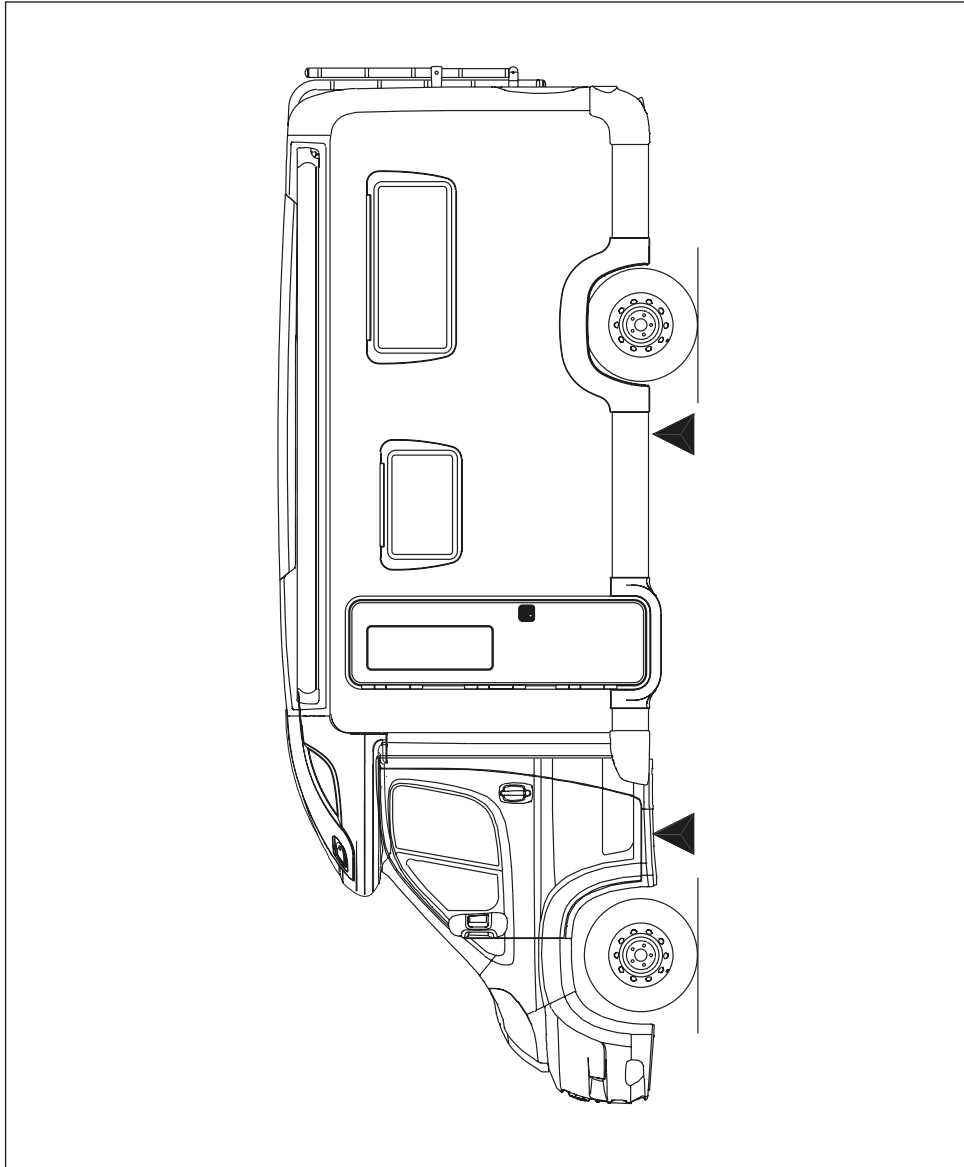
To ensure adequate road holding, the load on the front axle, under all conditions, must not be less than 40% or more than 70% of the total weight.

Care must be taken when distributing loads. The loadings and weights above are maximums and must not be exceeded under any circumstances.

† Maximum trailer nose weight limited to 40kg

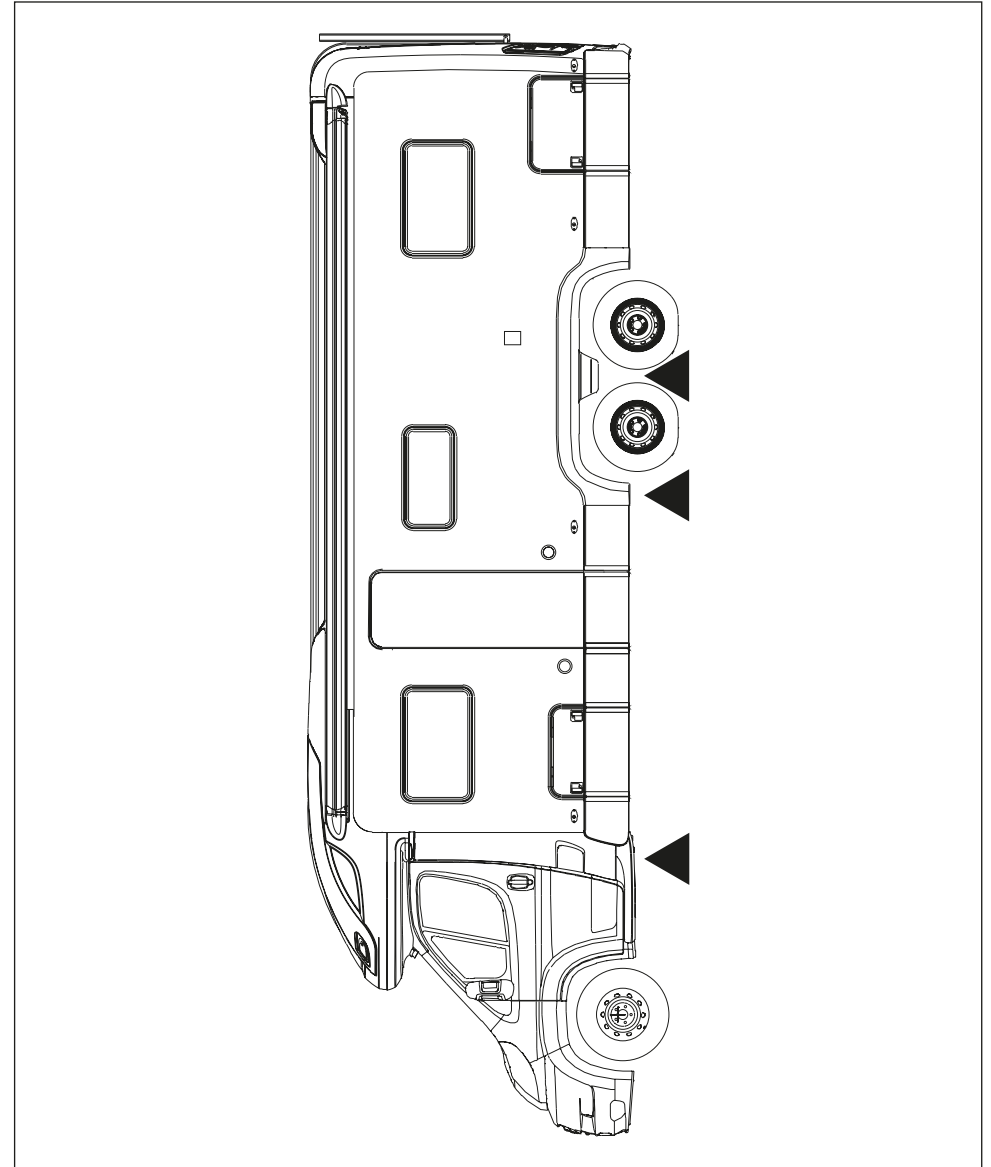
Permissible Rear Axle Load	Recommended Maximum Trailer Weight†	Gross Train Weight
2500kg	1750kg < 2000kg†	6000kg
2500kg	1750kg < 2000kg†	6000kg
2500kg	1750kg < 2000kg†	6000kg
2 x 1600kg	1000kg < 1600kg	6000kg
2 x 1600kg	1000kg < 1600kg	6000kg
2 x 1600kg	1000kg < 1600kg	6000kg
2 x 1600kg	1000kg < 1600kg	6000kg
2 x 1600kg	1000kg < 1600kg	6000kg
2 x 1600kg	1000kg < 1600kg	6000kg

Kon-Tiki single axle jacking points



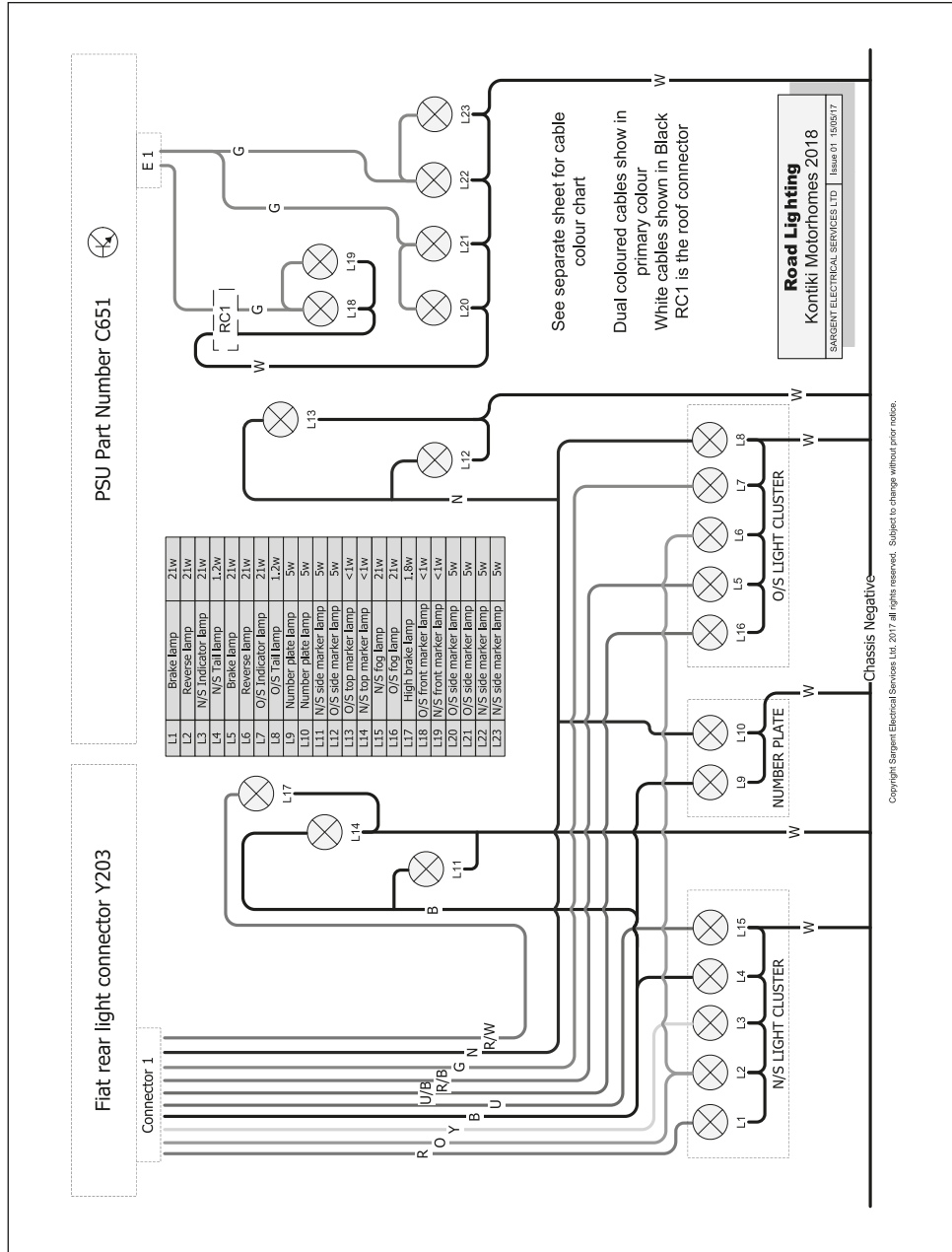
Jacking Points: ▲ For further details see the AL-KO handbook

Kon-Tiki twin axle jacking points

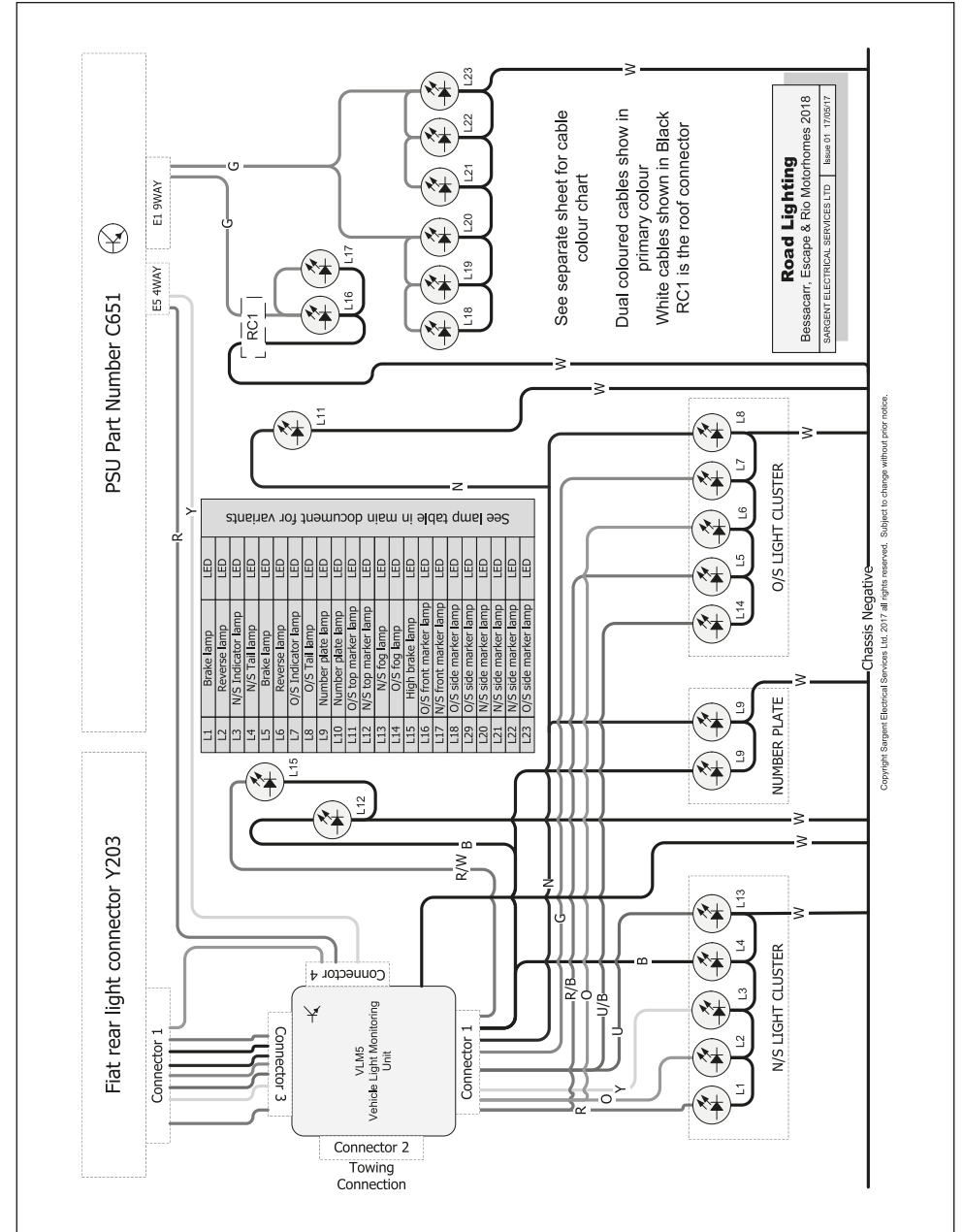


Jacking Points: ▲ For further details see the AL-KO handbook

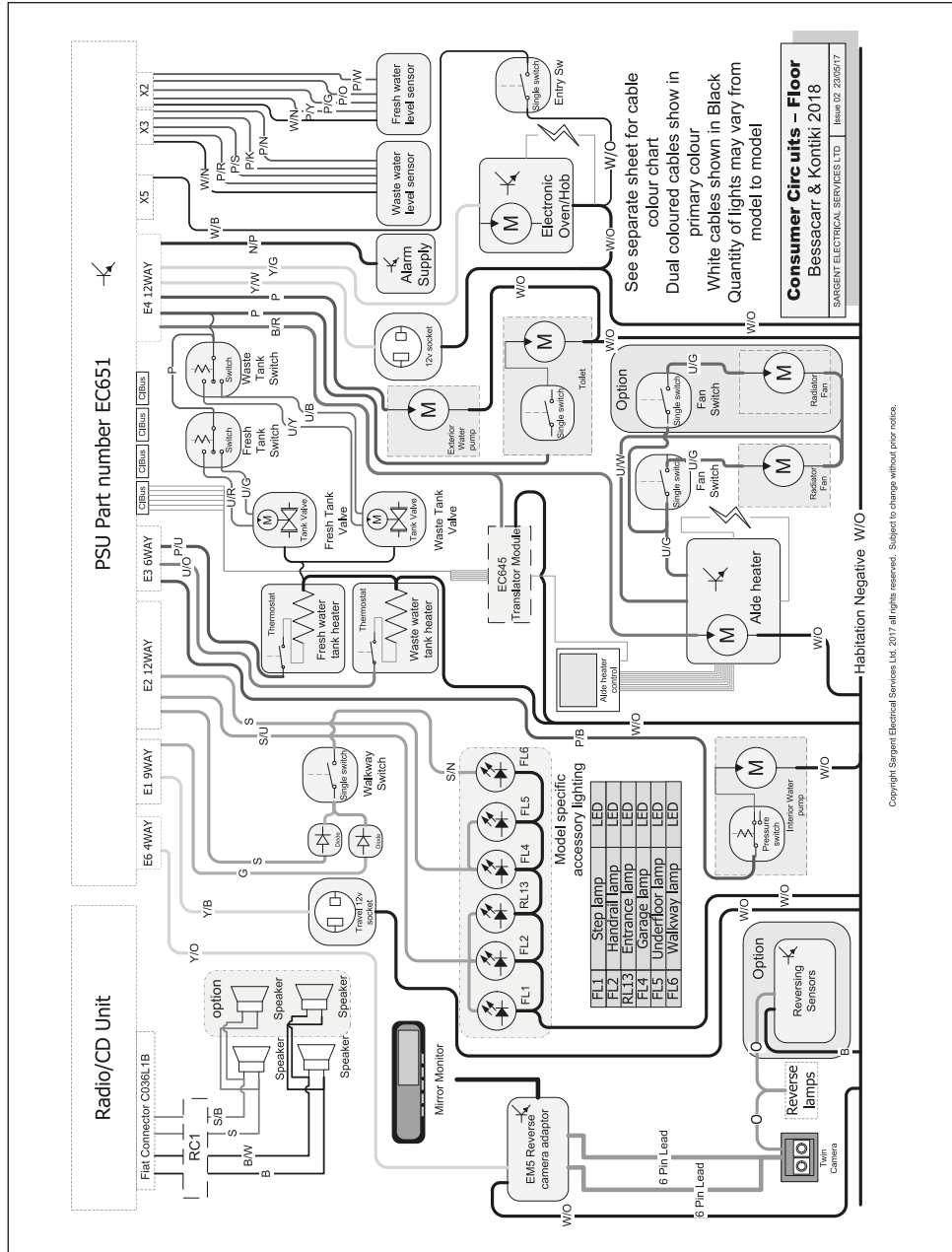
Kon-tiki - Road lighting circuits



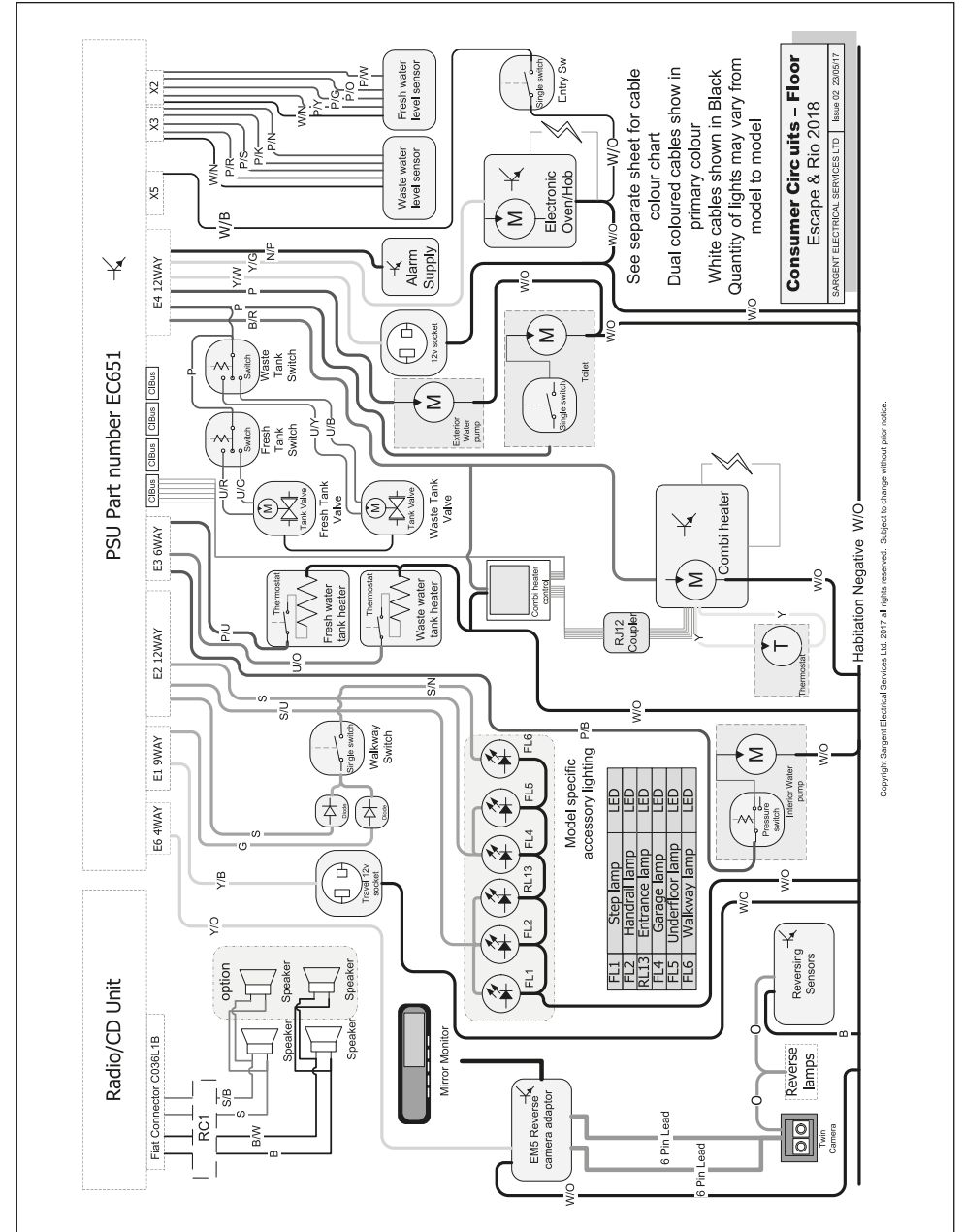
Bessaccarr, Escape and Rio - Road lighting circuits



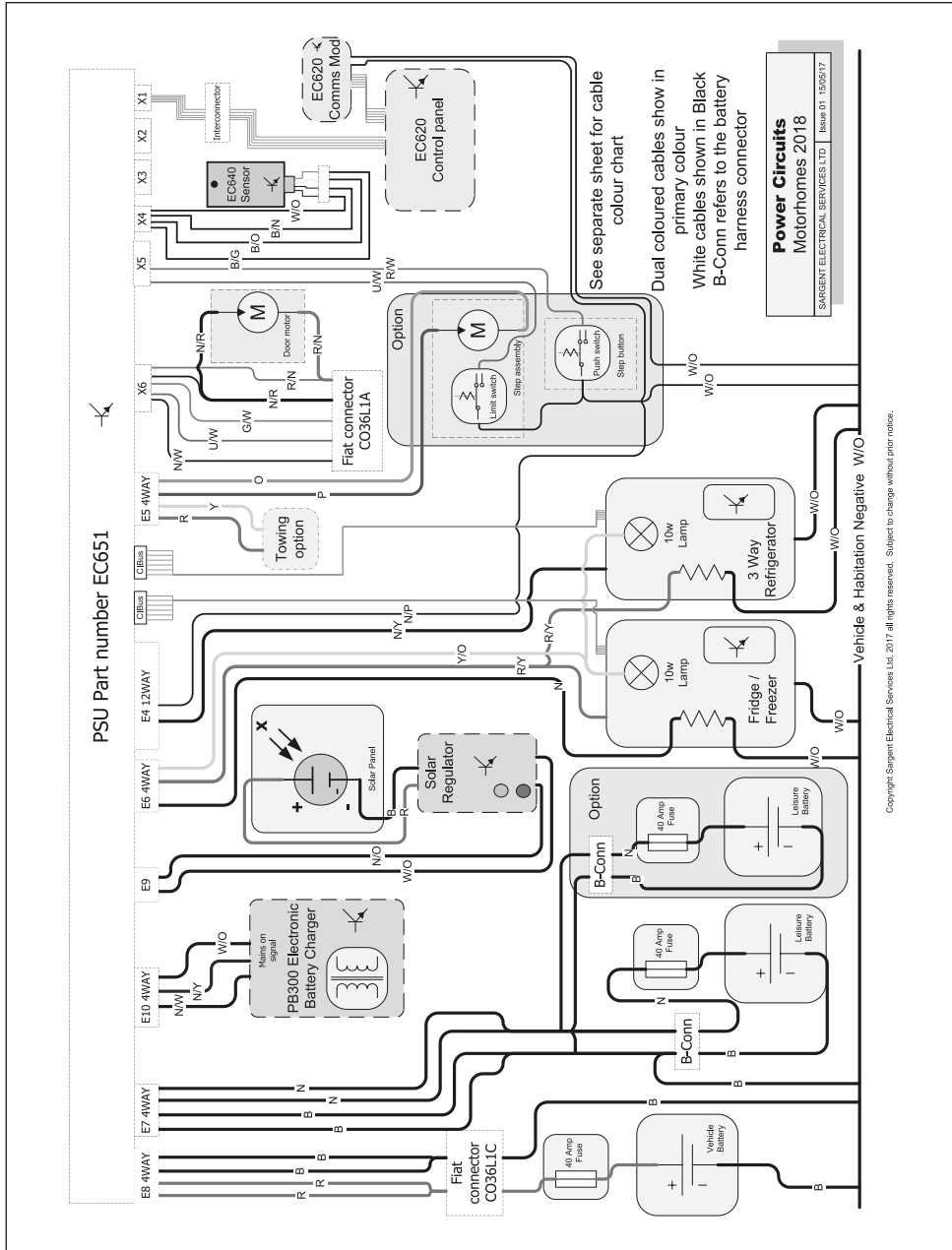
Bessacarr and Kon-tiki Consumer Circuits - Floor



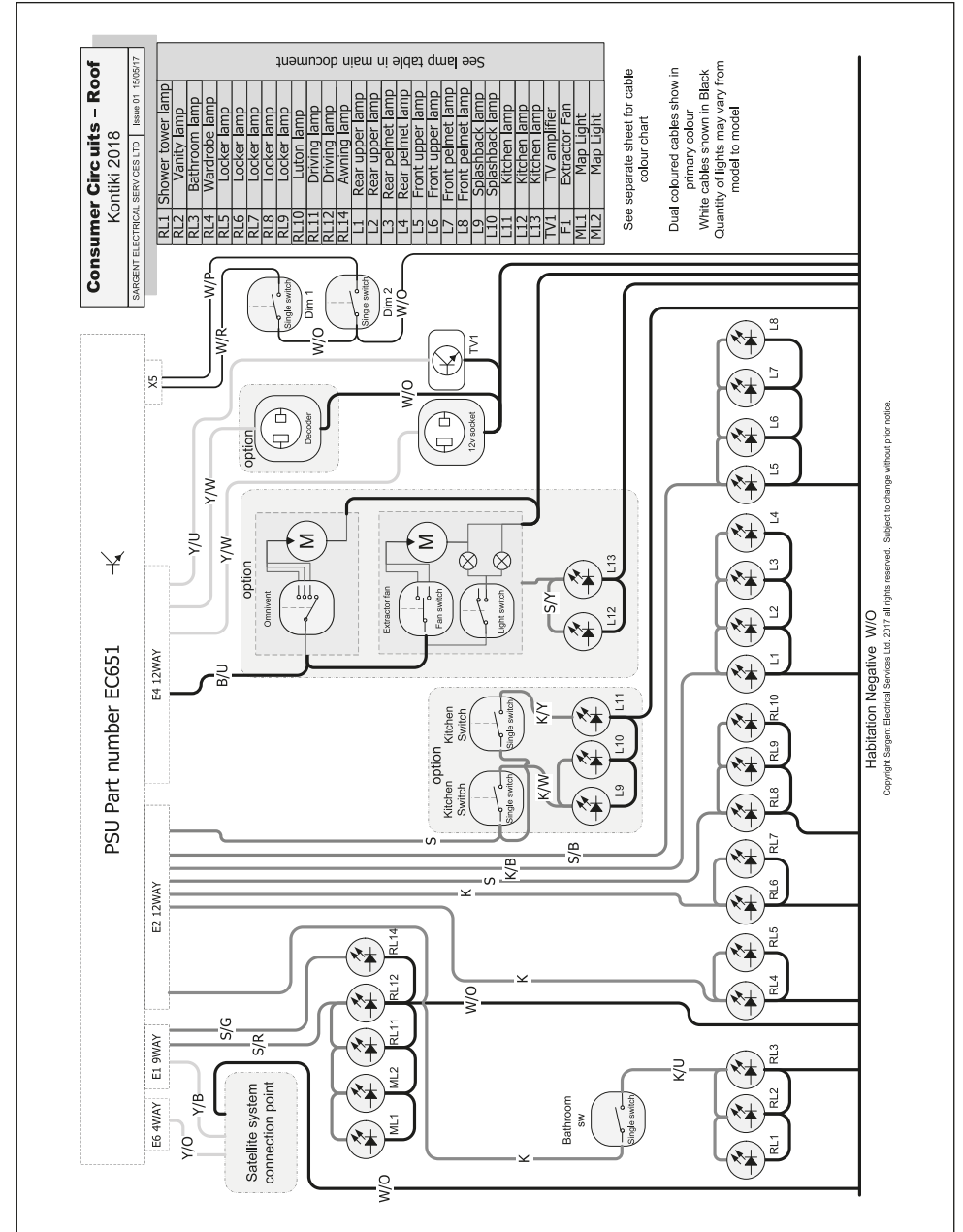
Escape and Rio Consumer Circuits - Floor



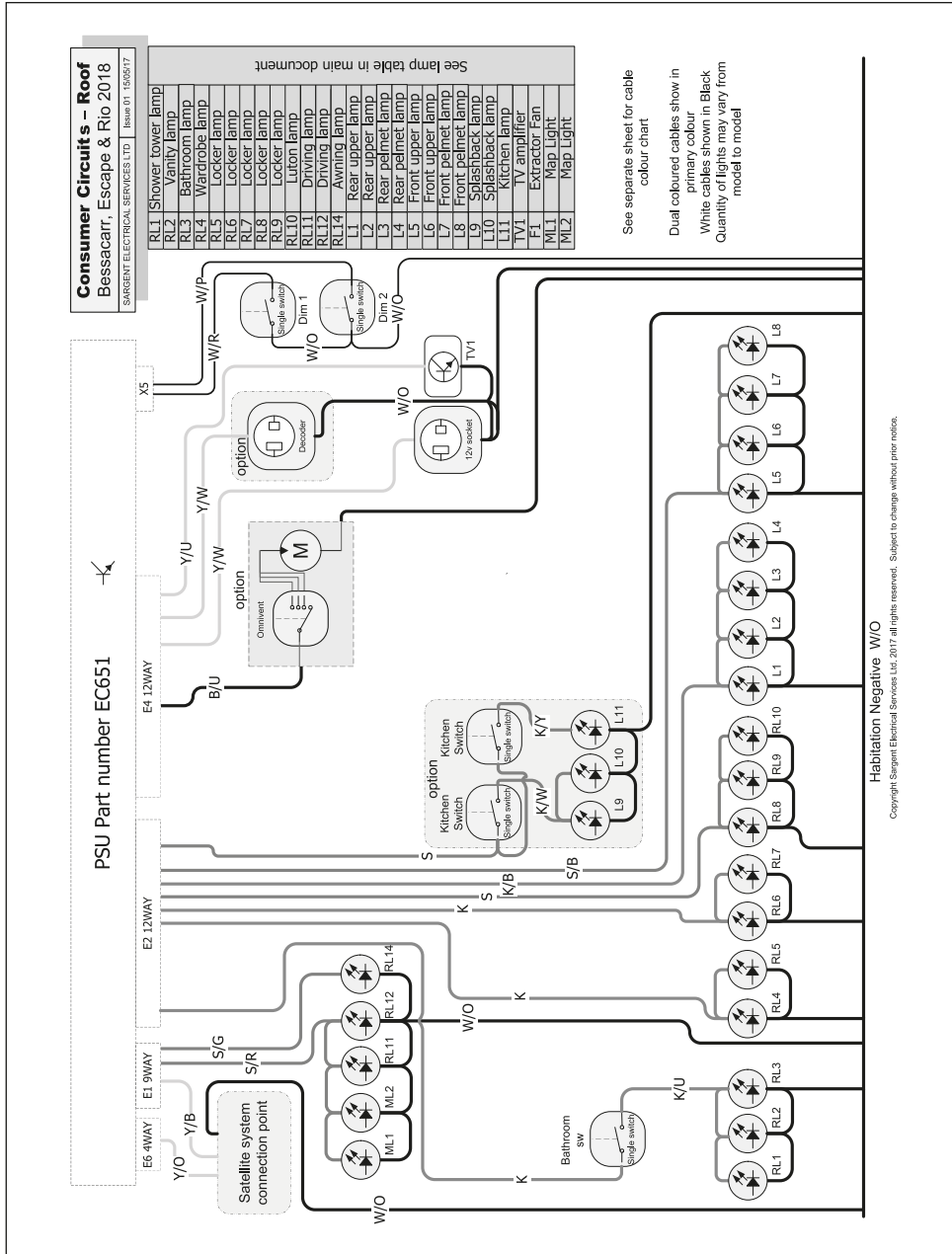
Power Circuits



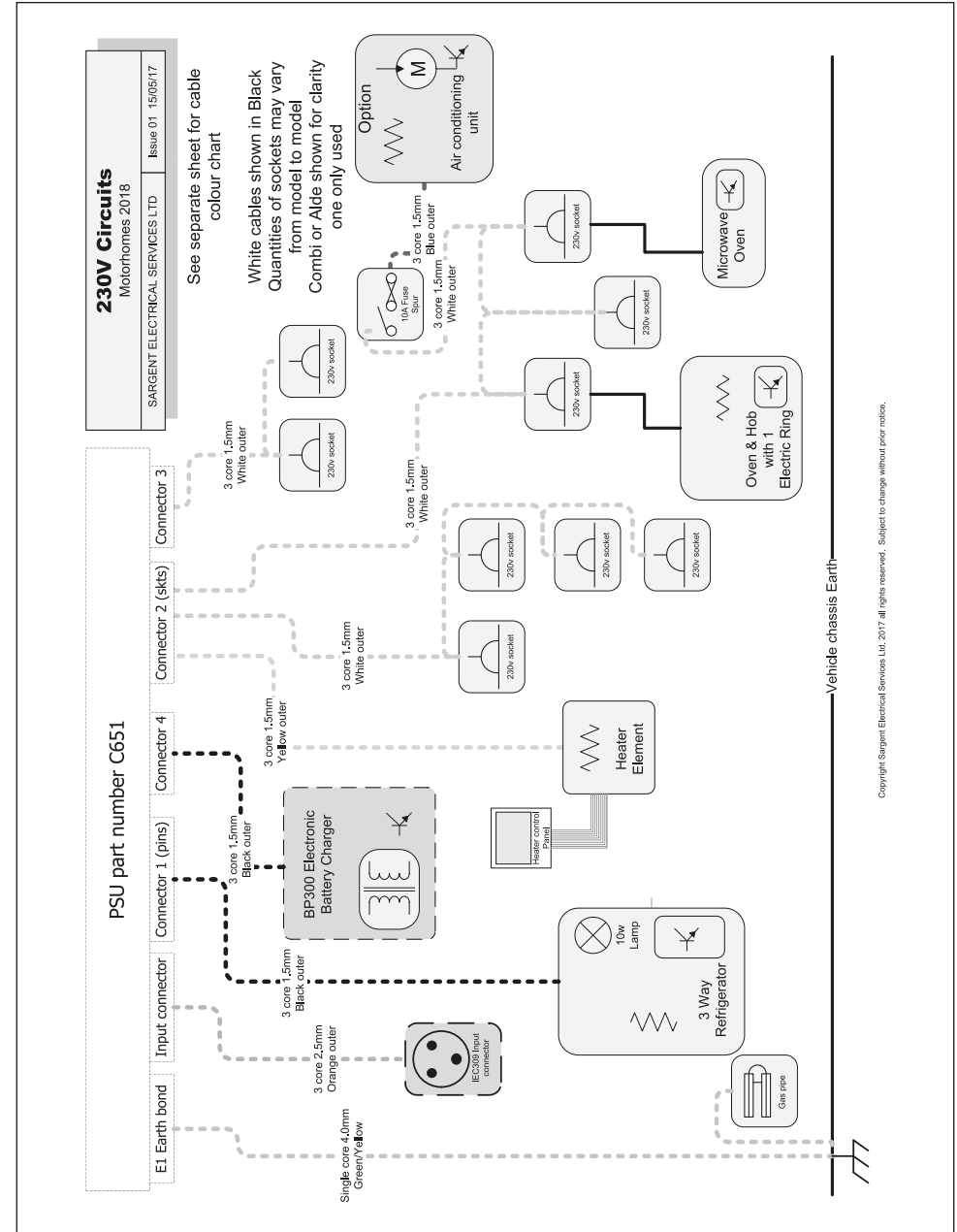
Kon-tiki Consumer Circuits - Roof



Bessacarr, Escape and Rio Consumer Circuits - Roof



230V Circuits



Cable Colour Chart

Y/U

Example

Yellow cable with Blue stripe

Cable Colour Chart
Swift Group

SARGENT ELECTRICAL SERVICES LTD Issue 01 15/05/17

12v Cable Colours

B	BLACK
N	BROWN
R	RED
O	ORANGE
Y	YELLOW
G	GREEN
U	BLUE
P	PURPLE
S	SLATE GREY
W	WHITE
K	PINK

230v Cable Colours

B	BLACK
N	BROWN
W	WHITE
O	ORANGE
Y	YELLOW
G	GREEN
U	BLUE

Copyright Sargent Electrical Services Ltd. 2017 all rights reserved. Subject to change without prior notice.

Road Lights

Application	Type of Wattage	Bulb Reference	Escape	Rio	Bessacarr	Bolero	Kon Tiki
Front marker lamp - Britax	LED	L98.00.12V & L98.01.12V	X	X	X	X	
Front marker lamp - Jokon	LED	13.5021.000					X
Side marker light - Hella	5W	W5W		X			X
Side marker light - Britax	LED	L99.01.12V	X		X	X	
Rear high level marker light - Britax	LED	L99.02.12V	X	X	X	X	
Rear high level marker light - Jokon	LED	13.0012.000					X
High level stop lamp - Hella	LED	2DA-008-136-017					X
High level stop lamp - Britax	2.3W	L102.00.L12V	X	X	X	X	
Number plate lamp - Hella	LED	C5W					X
Number plate lamp - Britax	LED	L104.00.L12V	X	X	X	X	
Rear lamp multi function cluster - Britax	LED	L79.00.12V(LH) & L79.01.12V (RH)	X	X	X	X	
Tail lamp - Hella	LED	2SA-008-405-021					X
Rear Stop lamp -Hella	21W	P21					X
Rear fog lamp -Hella	21W	P21					X
Reverse lamp -Hella	21W	P21					X
Indicator lamp -Hella	21W	P21					X

Bulb chart

Interior / Other

Application	Bulb Reference	Bulb Rating	Escape	Rio	Bessacarr	Kon Tiki
Locker spotlight with dimmer control	LED	FEM1561		X	X	X
Locker spot lamp	LED	FEM1555	X			
Downlights, chrome surround	LED	FEM1567		X	X	X
Downlights, 3 stud offset lense	LED	FEM1556		X	X	X
China locker base lamp, switched, recessed	LED	FEM1374	X	X	X	
China locker extractor mounted lamps	10W	GU4/MR11 Dichroic Bulb				X
Over locker/high level strip lamps	LED	FEM12114 (cut to length strip)	X	X	X	X
Illuminated panel backlighting	LED	FEM12114 (cut to length strip)		X	X	X
B-Pillar map reading lamps	LED	201598		X	X	X
Walkway low level lamps	LED	FEM0993		X	X	X
Wardrobe lamp	LED	N/A	X	X	X	X
Upper bed/luton lamp, switched, recessed	LED	FEM1374	X			
Upper bed/luton lamp, switched, surface mount	LED	FEM1373				X
Garage area lamp, switched, surface mount	LED	FEM1373	X		X	X
Awning lamp	LED	L101-00-L12V	X	X	X	X
Step well lamp	LED	Complete Stepwell light w/Swift logo	X		X	X

Note: Not all lights feature on all models within a range

Bulb Replacement

ESCAPE, RIO AND BESSACARR COACHBUILT MOTORHOMES, COMBINED, ROAD LIGHT BULB ACCESS

REAR LIGHT CLUSTERS (CONTAINING INDICATOR, TAIL / STOP, REVERSE AND FOG LAMPS)

- These multi-function lights are LED and have no user serviceable parts inside.
- Replacement clusters can be fitted in the following way:
- Remove three screws visible around the perimeter of the cluster
- Pull the cluster away from the rear panel of the tourer, taking care to not put excessive strain on the electrical connections behind the lamp
- Unplug the electrical connection from the rear of the lamp, by releasing the tab and lifting the connector upwards relative to the cluster
- Plug the connector back into the replacement lamp, position the lamp into the recess and replace the three fixing screws.

NUMBER PLATE LAMPS, LED

- These lamps are LED and have no user serviceable parts inside.
- Replacements should be undertaken by your dealer, as the lamps are sealed onto the mounting panel.

HIGH LEVEL BRAKE LAMP

- These lamps are LED and have no user serviceable parts inside.
- Replacements should be undertaken by your dealer, as the lamps are sealed onto the mounting panel.

FRONT AND REAR UPPER MARKER / POSITION LAMPS

- These lamps are LED and have no user serviceable parts inside.
- Replacements should be undertaken by your dealer, as the lamps are sealed onto the mounting panel.

SIDE MARKER / POSITION LAMPS

- These lamps are LED and have no user serviceable parts inside.
- Replacements should be undertaken by your dealer, as the lamps are sealed onto the mounting panel.

Bulb Replacement

KON-TIKI ROAD LIGHT BULB ACCESS

REAR LIGHT CLUSTER:

To access the tail lamp, indicator lamp or low level brake lamps, the silver trim panel must first be removed. The trim panel is secured with a combination of plastic Velcro and stud fixings. To remove, apply pressure to the top corner and pull. Working downwards, release all the fixings

Below the trim panel is a black light carrier panel, housing the lamps. Release the three screws located close to the corners of each carrier, and then this too can be pulled directly away from the rear of the vehicle.

To replace the light carrier align the screw holes and replace fixing screws at each corner of carrier.

Align the silver trim piece and push firmly against rear of vehicle to ensure the plastic Velcro is fully engaged.

INDICATOR LAMPS - REPLACING

Bulb access is from rear of lamp.

Remove the trim panel and light carrier as described previously.

At the rear of the lamp, twist the bulb holder relative to the lamp body to release, and withdraw the bulb holder and bulb.

Bulbs are a bayonet fitting – apply slight pressure on bulb towards light fitting, and twist to release.

Re-position the bulb holder into the lamp and twist to lock in place.

Replace the light carrier and trim piece as described above.

REVERSE LAMPS - REPLACING

Bulb access is from rear of lamp.

Remove the trim panel and light carrier as described previously.

At the rear of the lamp, twist the bulb holder relative to the lamp body to release, and withdraw the bulb holder and bulb.

Bulbs are a bayonet fitting – apply slight

pressure on bulb towards light fitting, and twist to release.

Re-position the bulb holder into the lamp and twist to lock in place.

Replace the light carrier and trim piece as described above.

TAIL LAMPS - REPLACING

The tail lamp is a LED cluster and has no user serviceable parts inside.

Only replacement of the whole lamp is possible – first remove the Silver trim piece and light carrier as described previously.

Unplug the lamp from the harness, by squeezing the small tab on the side of the connector, and pulling the two halves away from each other.

Remove the reverse lamp as described above.

Remove the three screws securing tail lamp LED ring to the black carrier

Replace lamp ensuring correct screws are used to secure and reverse procedure to re-fit lamp, reverse lamp, light carrier and trim piece.

LOW LEVEL STOP LAMPS

Bulb access is from rear of lamp.

Remove the trim panel and light carrier as described above.

At the rear of the lamp, twist the bulb holder relative to the lamp body to release, and withdraw the bulb holder and bulb.

Bulbs are a bayonet fitting – apply slight pressure on bulb towards light fitting, and twist to release.

Re-position the bulb holder into the lamp and twist to lock in place

Replace the light carrier and trim piece as described above.

REAR FOG LIGHTS

Bulb access is from rear of lamp.

The light fitting can be accessed from underneath the rear of the vehicle.

At the rear of the lamp, twist the bulb holder relative to the lamp body to release, and withdraw the bulb holder and bulb.

Bulb Replacement

SIDE MARKER / POSITION LAMPS

Bulb access is from rear of lamp

If rear of lamp is visible from inside the vehicle:

Depending on the location, a small brown plastic cover may be present covering the connections to the lamp. Remove the screws in the cover to release and access the rear of the lamp.

The harness plugs directly into the bulb holder – twist the bulb holder relative to the lamp body to release, and withdraw the bulb holder and bulb.

Bulbs are push fit into bulb holder – pull bulb directly away from holder to release

Reverse the procedure to replace the bulb in the holder, holder in the lamp and the lamp onto the motorhome body. Replace plastic cover.

If rear of lamp is not visible from inside the vehicle:

Remove the 2 screws from the front of the light fitting, and withdraw the whole fitting from motorhome body.

The harness plugs directly into the bulb holder – twist the bulb holder relative to the lamp body to release, and withdraw the bulb holder and bulb.

Bulbs are push fit into bulb holder – pull bulb directly away from holder to release.

Reverse the procedure to replace the bulb in the holder, holder in the lamp and the lamp onto the motorhome body.

Please note: The visible rubber terminal cover is not fixed to the bulb holder, and it may be easier to grip the bulb holder with this removed.

Bulbs are a bayonet fitting – apply slight pressure on bulb towards light fitting, and twist to release.

Re-position the bulb holder into the lamp and twist to lock in place.

FRONT OR REAR HIGH LEVEL MARKER / POSITION LAMPS (RED / CLEAR LENSE)

These lamps are LED and have no user serviceable parts inside.

Replacements should be undertaken by your dealer, as the lamps are sealed onto the mounting panel.

HIGH LEVEL BRAKE LAMP

This lamp is single piece and has no user serviceable parts inside.

Remove the screw at both ends of lamp, and withdraw whole fitting away from rear panel of motorhome.

Please note : The screws which retain the lamp also retain the reverse camera housing.

Unplug the lamp from the harness, by squeezing the small tab on the side of the connector, and pulling the connector away from the lamp.

Re-connect the new lamp to harness, and secure with the original two screws.

Lamp retaining screws are fixed into a rubber sleeve with a threaded insert, often known as a rawlnut. If lamp has been removed and re-fitted several times the rubber sleeve may need replacing, these are available through your dealer.

NUMBER PLATE LAMPS

Bulb access is from via the front lense of each lamp

Remove the two screws in the lense of the lamp, and remove

Lever the bulb out of retaining clips

Reverse the procedure to re-fit a new bulb and the light lense

Dealer Special Editions based on Escape

Model	Escape 622 Standard	Escape 622 Optional
Dealer		
3A's	Charisma 622	Charisma 622
Highbridge	Coastline 622	Coastline 622
Spinney	Vogue 622	Vogue 622
Brownhills	Champagne 622	Champagne 622
Lowdhams	Freestyle 622	Freestyle 622
Knowepark	Searcher 622	Searcher 622
Webbs & Dolphin	Spirit 622	Spirit 622
Glossop	Celebration 622	Celebration 622
Wandahome	Corniche 622	Corniche 622
Merit RV (New Zealand)		
Roof Profile	Low Line	
Engine	130 MJT	130 MJT Auto
Engine Capacity	2.3ltr	2.3ltr
Max Power	96kW @ 3600rpm	96kW @ 3600rpm
Torque	320Nm @ 1800rpm	320Nm @ 1800rpm
Chassis	MWB Fiat Chassis	
Wheel base	3.45m/11'4"	
Designated Passenger Seats excluding Driver	1	
Berths (sleeping positions)	2	
Overall Length (no ladder)**	6.29m/20'8"	
Overall Width (mirrors folded)	2.31m/7'7"	
Overall Height**	2.91m/9'6"	
Maximum Technical Permissible Laden Mass (A)	3500kg	
Mass in Running Order (B)	2820kg *	2837kg
Maximum User Payload (A-B)	680kg *	663kg
Unladen Weight	2664kg *	2681kg
Essential Habitation Equipment	0kg	
Thermal Insulation Grade	Three	
Bed Sizes		
Front Double		
Front Nearside Single		
Front Offside Single		
Rear Double	2.08m x 1.69m / 6'10" x 5'7"	
Rear Nearside Single	1.75m x 0.68m / 5'9" x 2'3"	
Rear Offside Single	1.86m x 0.68m / 6'1" x 2'3"	
Rear Bunk (Upper)		
Rear Bunk (Lower)		
Front Drop Down Bed		

NOTE: 1. **The Maximum User Payload** includes:

- the **conventional load** (this is the allowance for passengers)
- essential habitation equipment** (items and fluids required for safe and proper functioning of habitation equipment)
- optional equipment** (items available from the manufacturer over and above the standard specification)
- personal effects** (those items not covered by the above)

2. The **Mass in Running Order** is the mass of the unladen vehicle including a 75kg allowance for the driver plus engine coolants and 90% of the fuel tank and 1 x 6kg Calor Lite cylinder. The MRO is calculated with the fresh water tank empty. If you travel with water in the fresh water tank then the payload will reduce accordingly.

3. PLEASE TAKE CARE TO ENSURE THAT YOU HAVE ALLOWED FOR THE MASSES OF ALL ITEMS YOU INTEND TO CARRY IN THE MOTOR CARAVAN, e.g. passengers, optional equipment, essential

habitation equipment and personal effects, such as clothing, food, pets, bicycles, sailboards, sports equipment etc.

4. **WARNING** - UNDER NO CIRCUMSTANCES SHOULD THE MAXIMUM TECHNICAL PERMISSIBLE LADEN MASS OF THIS MOTOR CARAVAN BE EXCEEDED.

* Estimated

** For optional roof ladder add 125mm to length 40mm to height on Low Line

Escape 664 Standard	Escape 664 Optional	
Charisma 664	Charisma 664	
Coastline 664	Coastline 664	
Vogue 664	Vogue 664	
Champagne 664	Champagne 664	
Freestyle 664	Freestyle 664	
Searcher 664	Searcher 664	
Spirit 664	Spirit 664	
Celebration 664	Celebration 664	
Corniche 664	Corniche 664	
Voyager 664	Voyager 664	
Roof Profile	Low Line	
Engine	130 MJT	130 MJT Auto
Engine Capacity	2.3ltr	2.3ltr
Max Power	96kW @ 3600rpm	96kW @ 3600rpm
Torque	320Nm @ 1800rpm	320Nm @ 1800rpm
Chassis	MLWB Fiat Chassis	
Wheel base	3.80m/12'6"	
Designated Passenger Seats excluding Driver	3	
Berths (sleeping positions)	4	
Overall Length (no ladder)**	6.72m/22'1"	
Overall Width (mirrors folded)	2.31m/7'7"	
Overall Height**	2.91m/9'6"	
Maximum Technical Permissible Laden Mass (A)	3500kg	
Mass in Running Order (B)	2905kg *	2922kg *
Maximum User Payload (A-B)	595kg *	578kg *
Unladen Weight	2749kg *	2766kg *
Essential Habitation Equipment	0kg	
Thermal Insulation Grade	Three	
Bed Sizes		
Front Double	2.09m x 1.23m/0.92m / 6'9" x 4'0"/3'0"	
Front Nearside Single		
Front Offside Single		
Rear Double	1.87m x 1.26m / 6'2" x 4'2"	
Rear Nearside Single		
Rear Offside Single		
Rear Bunk (Upper)		
Rear Bunk (Lower)		
Front Drop Down Bed		

Dealer Special Editions based on Escape

Model	Escape 674 Standard	Escape 674 Drop Down Bed & Travelling Seat	Escape 674 Optional	Escape 674 Drop Down Bed & Travelling Seat Optional*
Dealer				
3A's	Charisma 674			Charisma 674
Highbridge	Coastline 674			Coastline 674
Spinney	Vogue 674			Vogue 674
Brownhills	Champagne 674			Champagne 674
Lowdhams	Freestyle 674			Freestyle 674
Knowepark	Searcher 674			Searcher 674
Webbs & Dolphin	Spirit 674			Spirit 674
Glossop	Celebration 674			Celebration 674
Wandahome	Corniche 674			Corniche 674
Merit RV (New Zealand)	Voyager 674			Voyager 674
Roof Profile	Low Line			
Engine	130 MJT			130 MJT Auto
Engine Capacity	2.3ltr			2.3ltr
Max Power	96kW @ 3600rpm			96kW @ 3600rpm
Torque	320Nm @ 1800rpm			320Nm @ 1800rpm
Chassis	Fiat / Ai-Ko Chassis			
Wheel base	4.65m/15'3"			
Designated Passenger Seats excluding Driver	3	4	3	4
Berths (sleeping positions)	4	6	4	6
Overall Length (no ladder)**	7.41m/24'4"			
Overall Width (mirrors folded)	2.31m/7'7"			
Overall Height**	2.88m/9'5"			
Maximum Technical Permissible Laden Mass (A)	3500kg		3700kg	
Mass in Running Order (B)	2960kg *	3060kg *	2977kg *	3077kg *
Maximum User Payload (A-B)	540kg *	440kg *	523kg *	623kg *
Unladen Weight	2827kg *	2927kg *	2844kg *	2944kg *
Essential Habitation Equipment	0kg			
Thermal Insulation Grade	Three			
Bed Sizes				
Front Double	2.09m x 1.39m/1.03m / 6'10" x 4'7"/3'5"			
Front Nearside Single				
Front Offside Single				
Rear Double	2.06m x 1.83m / 6'9" x 6'0"			
Rear Nearside Single	1.83m x 0.68m / 6'0" x 2'3"			
Rear Offside Single	1.91m x 0.68m / 6'3" x 2'3"			
Rear Bunk (Upper)				
Rear Bunk (Lower)				
Front Drop Down Bed Bed	1.93m x 1.27m / 6'4" x 4'2" (opt)			

NOTE: 1. The **Maximum User Payload** includes:

- the **conventional load** (this is the allowance for passengers)
- essential habitation equipment** (items and fluids required for safe and proper functioning of habitation equipment)
- optional equipment** (items available from the manufacturer over and above the standard specification)
- personal effects** (those items not covered by the above)

2. The **Mass in Running Order** is the mass of the unladen vehicle including a 75kg allowance for the driver plus engine coolants and 90% of the fuel tank and 1 x 6kg Calor Lite cylinder. The MRO is calculated with the fresh water tank empty. If you travel with water in the fresh water tank then the payload will reduce accordingly.

3. PLEASE TAKE CARE TO ENSURE THAT YOU HAVE ALLOWED FOR THE MASSES OF ALL ITEMS YOU INTEND TO CARRY IN THE MOTOR CARAVAN, e.g. passengers, optional equipment, essential

habitation equipment and personal effects, such as clothing, food, pets, bicycles, sailboards, sports equipment etc.

4. **WARNING** - UNDER NO CIRCUMSTANCES SHOULD THE MAXIMUM TECHNICAL PERMISSIBLE LADEN MASS OF THIS MOTOR CARAVAN BE EXCEEDED.

* Estimated

** For optional roof ladder add 125mm to length 40mm to height on Low Line

Escape 684 Standard	Escape 684 Drop Down Bed & Travelling Seat	Escape 684 Optional	Escape 684 Drop Down Bed & Travelling Seat Optional*
	Charisma 684		Charisma 684
	Coastline 684		Coastline 684
	Vogue 684		Vogue 684
	Champagne 684		Champagne 684
	Freestyle 684		Freestyle 684
	Searcher 684		Searcher 684
	Spirit 684		Spirit 684
	Celebration 684		Celebration 684
	Corniche 684		Corniche 684
Roof Profile	Low Line		
Engine	130 MJT		130 MJT Auto
Engine Capacity	2.3ltr		2.3ltr
Max Power	96kW @ 3600rpm		96kW @ 3600rpm
Torque	320Nm @ 1800rpm		320Nm @ 1800rpm
Chassis	Fiat / Ai-Ko Chassis		
Wheel base	4.30m/14'1"		
Designated Passenger Seats excluding Driver	3	4	3
Berths (sleeping positions)	4	6	4
Overall Length (no ladder)**	7.41m/24'4"		
Overall Width (mirrors folded)	2.31m/7'7"		
Overall Height**	2.88m/9'5"		
Maximum Technical Permissible Laden Mass (A)	3500kg		3700kg
Mass in Running Order (B)	2975kg *	3075kg *	2992kg *
Maximum User Payload (A-B)	525kg *	425kg *	508kg *
Unladen Weight	2842kg *	2942kg *	2859kg *
Essential Habitation Equipment	0kg		
Thermal Insulation Grade	Three		
Bed Sizes			
Front Double	2.09m x 1.39m/1.03m / 6'10" x 4'7"/3'5"		
Front Nearside Single			
Front Offside Single			
Rear Double	2.08m x 1.45m / 6'10" x 4'9"		
Rear Nearside Single	1.92m x 0.80m / 6'4" x 2'7"		
Rear Offside Single	1.92m x 0.80m / 6'4" x 2'7"		
Rear Bunk (Upper)			
Rear Bunk (Lower)			
Front Drop Down Bed Bed	1.93m x 1.27m / 6'4" x 4'2" (opt)		

* 3700kg MTPLM chassis upgrade required

Dealer Special Editions based on Escape

Model	Escape 685 Standard	Escape 685 Optional
Dealer		
3A's	Charisma 685	Charisma 685
Highbridge	Coastline 685	Coastline 685
Spinney	Vogue 685	Vogue 685
Brownhills	Champagne 685	Champagne 685
Lowdhams	Freestyle 685	Freestyle 685
Knowepark	Searcher 685	Searcher 685
Webbs & Dolphin	Spirit 685	Spirit 685
Glossop	Celebration 685	Celebration 685
Wandahome	Corniche 685	Corniche 685
Merit RV (New Zealand)		
Roof Profile	Low Line	
Engine	130 MJT	130 MJT Auto
Engine Capacity	2.3ltr	2.3ltr
Max Power	96kW @ 3600rpm	96kW @ 3600rpm
Torque	320Nm @ 1800rpm	320Nm @ 1800rpm
Chassis	Fiat / Al-Ko Chassis	
Wheel base	4.65m/15'3"	
Designated Passenger Seats excluding Driver	4	
Berths (sleeping positions)	6	
Overall Length (no ladder)**	6.92m/22'8"	
Overall Width (mirrors folded)	2.31m/7'7"	
Overall Height**	2.88m/9'5"	
Maximum Technical Permissible Laden Mass (A)	3500kg	
Mass in Running Order (B)	2975kg *	2992kg *
Maximum User Payload (A-B)	525kg *	508kg *
Unladen Weight	2842kg *	2859kg *
Essential Habitation Equipment	0kg	
Thermal Insulation Grade	Three	
Bed Sizes		
Front Double	2.11m x 1.39/1.06m / 6'11" x 4'7"/3'5"	
Front Nearside Single		
Front Offside Single		
Rear Double	2.06m x 1.37m / 6'9" x 4'6"	
Rear Nearside Single		
Rear Offside Single		
Rear Bunk (Upper)		
Rear Bunk (Lower)		
Front Drop Down Bed	1.93m x 1.27m / 6'3" x 4'2"	

NOTE: 1. The **Maximum User Payload** includes:

- the **conventional load** (this is the allowance for passengers)
- essential habitation equipment** (items and fluids required for safe and proper functioning of habitation equipment)
- optional equipment** (items available from the manufacturer over and above the standard specification)
- personal effects** (those items not covered by the above)

2. The **Mass in Running Order** is the mass of the unladen vehicle including a 75kg allowance for the driver plus engine coolants and 90% of the fuel tank and 1 x 6kg Calor Lite cylinder. The MRO is calculated with the fresh water tank empty. If you travel with water in the fresh water tank then the payload will reduce accordingly.

3. PLEASE TAKE CARE TO ENSURE THAT YOU HAVE ALLOWED FOR THE MASSES OF ALL ITEMS YOU INTEND TO CARRY IN THE MOTOR CARAVAN, e.g. passengers, optional equipment, essential

habitation equipment and personal effects, such as clothing, food, pets, bicycles, sailboards, sports equipment etc.

4. **WARNING** - UNDER NO CIRCUMSTANCES SHOULD THE MAXIMUM TECHNICAL PERMISSIBLE LADEN MASS OF THIS MOTOR CARAVAN BE EXCEEDED.

* Estimated

** For optional roof ladder add 125mm to length 40mm to height on Low Line

Escape 694 Standard	Escape 694 Drop Down Bed & Travelling Seat	Escape 694 Optional	Escape 694 Drop Down Bed & Travelling Seat Optional*
	Charisma 694		Charisma 694
	Coastline 694		Coastline 694
	Vogue 694		Vogue 694
	Champagne 694		Champagne 694
	Freestyle 694		Freestyle 694
	Searcher 694		Searcher 694
	Spirit 694		Spirit 694
	Celebration 694		Celebration 694
	Corniche 694		Corniche 694
	Voyager 694		Voyager 694
	Low Line		
	130 MJT		130 MJT Auto
	2.3ltr		2.3ltr
	96kW @ 3600rpm		96kW @ 3600rpm
	320Nm @ 1800rpm		320Nm @ 1800rpm
	Fiat / Al-Ko Chassis		
	4.30m/14'1"		
3	4	3	4
4	6	4	6
	7.41m/24'4"		
	2.31m/7'7"		
	2.88m/9'5"		
	3500kg		3700kg
2958kg *	3058kg *	2975kg *	3075kg *
542kg *	442kg *	525kg *	625kg *
2825kg *	2925kg *	2842kg *	2942kg *
	0kg		
	Three		
	2.09m x 1.39/1.03m / 6'10" x 4'7"/3'5"		
	1.83m x 1.33m / 6'0" x 4'4"		
	1.93m x 1.27m / 6'4" x 4'2" (opt)		

* 3700kg MTPLM chassis upgrade required

Dealer Special Editions based on Escape

Model	Escape 695 Standard	Escape 695 Optional
Dealer		
3A's	Charisma 695	Charisma 695
Highbridge	Coastline 695	Coastline 695
Spinney	Vogue 695	Vogue 695
Brownhills	Champagne 695	Champagne 695
Lowdhams	Freestyle 695	Freestyle 695
Knowepark	Searcher 695	Searcher 695
Webbs & Dolphin	Spirit 695	Spirit 695
Glossop	Celebration 695	Celebration 695
Wandahome	Corniche 695	Corniche 695
Roof Profile	Low Line	
Engine	130 MJT	130 MJT Auto
Engine Capacity	2.3ltr	2.3ltr
Max Power	96kW @ 3600rpm	96kW @ 3600rpm
Torque	320Nm @ 1800rpm	320Nm @ 1800rpm
Chassis	Fiat / Al-Ko Chassis	
Wheel base	4.65m/15'3"	
Designated Passenger Seats excluding Driver	4	
Berths (sleeping positions)	6	
Overall Length (no ladder)**	6.92m/22'8"	
Overall Width (mirrors folded)	2.31m/7'7"	
Overall Height**	2.88m/9'5"	
Maximum Technical Permissible Laden Mass (A)	3500kg	
Mass in Running Order (B)	2985kg *	3002kg *
Maximum User Payload (A-B)	515kg *	498kg *
Unladen Weight	2852kg *	2869kg *
Essential Habitation Equipment	0kg	
Thermal Insulation Grade	Three	
Bed Sizes		
Front Double	2.11m x 1.39/1.06m / 6'11" x 4'7"/3'5"	
Front Nearside Single		
Front Offside Single		
Rear Double		
Rear Nearside Single		
Rear Offside Single		
Rear Bunk (Upper)	1.95m x 0.76m / 6'5" x 2'6"	
Rear Bunk (Lower)	1.89m x 0.73m / 6'2" x 2'5"	
Front Drop Down Bed	1.93m x 1.27m / 6'4" x 4'2"	

NOTE: 1. The **Maximum User Payload** includes:

- the **conventional load** (this is the allowance for passengers)
- essential habitation equipment** (items and fluids required for safe and proper functioning of habitation equipment)
- optional equipment** (items available from the manufacturer over and above the standard specification)
- personal effects** (those items not covered by the above)

2. The **Mass in Running Order** is the mass of the unladen vehicle including a 75kg allowance for the driver plus engine coolants and 90% of the fuel tank and 1 x 6kg Calor Lite cylinder. The MRO is calculated with the fresh water tank empty. If you travel with water in the fresh water tank then the payload will reduce accordingly.

3. PLEASE TAKE CARE TO ENSURE THAT YOU HAVE ALLOWED FOR THE MASSES OF ALL ITEMS YOU INTEND TO CARRY IN THE MOTOR CARAVAN, e.g. passengers, optional equipment, essential

habitation equipment and personal effects, such as clothing, food, pets, bicycles, sailboards, sports equipment etc.

4. **WARNING** - UNDER NO CIRCUMSTANCES SHOULD THE MAXIMUM TECHNICAL PERMISSIBLE LADEN MASS OF THIS MOTOR CARAVAN BE EXCEEDED.

* Estimated

** For optional roof ladder add 125mm to length 40mm to height on Low Line

Dealer Special Editions based on Bessacarr

Model	Bessacarr 512 Standard	Bessacarr 512 Option	Bessacarr 524 Standard	Bessacarr 524 Option
Dealer				
Lowdhams	Hi-Style 512		Hi-Style 522	
Roof Profile	Low Line		High Line	
Engine	150 MJT	150 MJT AUTO (Option)	150 MJT	150 MJT AUTO (Option)
Engine Capacity	2.3Ltr			
Max Power	110kW @ 3600rpm			
Torque	380Nm @ 1500rpm			
Chassis	SWB Fiat Low Line Chassis		MLWB Fiat Low Line Chassis	
Wheel base	3.00m / 9'10"		3.80m/12'6"	
Designated Passenger Seats excluding Driver	1		3	
Berths (sleeping positions)	2		4	
Overall Length (no ladder)**	5.99m / 19'8"		5.99m / 19'8"	
Overall Width (mirrors folded)	2.38m / 7'10"		2.38m/7'10"	
Overall Height**	2.82m / 9'3"		2.82m/9'3"	
Maximum Technical Permissible Laden Mass (A)	3500kg		3500kg	
Mass in Running Order (B)	2947kg *	2964kg *	3028kg *	3045kg *
Maximum User Payload (A-B)	553kg *	536kg *	472kg *	455kg *
Unladen Weight	2791kg *	2808kg *	2872kg *	2889kg *
Essential Habitation Equipment	0kg			
Thermal Insulation Grade	THREE			
Bed Sizes				
Front Double	2.01m x 1.30m / 6'7" x 4'3"			
Front Nearside Single	1.87m x 0.68m / 6'2" x 2'3"			
Front Offside Single	1.87m x 0.68m / 6'2" x 2'3"			
Rear Double				
Rear Nearside Single				
Rear Offside Single				
Manual Drop Down Bed				

NOTE: 1. The **Maximum User Payload** includes:
a) the **conventional load** (this is the allowance for passengers)
b) **essential habitation equipment** (items and fluids required for safe and proper functioning of habitation equipment)
c) **optional equipment** (items available from the manufacturer over and above the standard specification)
d) **personal effects** (those items not covered by the above)
2. The **Mass in Running Order** is the mass of the unladen vehicle including a 75kg allowance for the

driver plus engine coolants and 90% of the fuel tank and 1 x 6kg Calor Lite LPG cylinder.
3. The Mass in running order is calculated with the fresh water tank and water heater empty. If you travel with water in the fresh water tank or water heater then the payload will reduce accordingly.
4. PLEASE TAKE CARE TO ENSURE THAT YOU HAVE ALLOWED FOR THE MASSES OF ALL ITEMS YOU INTEND TO CARRY IN THE MOTOR CARAVAN, e.g. passengers, optional equipment, essential habitation equipment and personal effects, such as clothing, food, pets, bicycles, sailboards, sports equipment etc.

5. **WARNING** - UNDER NO CIRCUMSTANCES SHOULD THE MAXIMUM TECHNICAL PERMISSIBLE LADEN MASS OF THIS MOTOR CARAVAN BE EXCEEDED.
* Estimated
** For Optional Roof Ladder (Add 125mm length and 40mm height)

Bessacarr 542 Standard	Bessacarr 542 Option	Bessacarr 560 Standard	Bessacarr 560 Option	Bessacarr 560 Lounge Standard	Bessacarr 560 Lounge Option
Hi-Style 542		Hi-Style 560		Hi-Style 560 Lounge	
Low Line		Low Line			
150 MJT	150 MJT AUTO (Option)	150 MJT	150 MJT AUTO (Option)	150 MJT	150 MJT AUTO (Option)
2.3Ltr		2.3Ltr			
110kW @ 3600rpm		110kW @ 3600rpm			
380Nm @ 1500rpm		380Nm @ 1500rpm			
LWB Fiat Low Line Chassis		LWB Fiat Low Line Chassis			
4.04m/13'3"		4.04m/13'3"			
1		3		1	
2		4			
7.37m/24'2"		7.09m/23'3"			
2.38m/7'10"		2.38m/7'10"			
2.82m/9'3"		2.82m/9'3"			
3500kg		3500kg			
3100kg *	3117kg *	3128kg *	3145kg *	3088kg *	3105kg *
400kg *	383kg *	3728kg *	355kg *	412kg *	395kg *
2944kg *	2961kg *	2972kg *	2989kg *	2932kg *	2949kg *
0kg		0kg			
THREE		THREE			
2.01m x 1.42m / 6'7" x 4'8"		2.09m x 1.23m / 1.03m / 6'10" x 4'0" / 3'5"			
1.88m x 0.68m / 6'2" x 2'3"					
1.88m x 0.68m / 6'2" x 2'3"					
		1.90m x 1.26m / 6'3" x 4'2"			

Dealer Special Editions based on Bessacarr

Model	Bessacarr 584 Standard	Bessacarr 584 option
Dealer		
Lowdhams	Hi-Style 584	
Roof Profile	Low Line	
Engine	150 MJT	150 MJT AUTO (Option)
Engine Capacity	2.3Ltr	
Max Power	110kW @ 3600rpm	
Torque	380Nm @ 1500rpm	
Chassis	Fiat / AL-KO Low Line Chassis	
Wheel base	4.40m/14'5"	
Designated Passenger Seats excluding Driver	3	
Berths (sleeping positions)	4	
Overall Length (no ladder)**	7.77m/25'6"	
Overall Width (mirrors folded)	2.38m/7'10"	
Overall Height**	2.76m/9'1"	
Maximum Technical Permissible Laden Mass (A)	3850kg	
Mass in Running Order (B)	3206kg *	32236kg *
Maximum User Payload (A-B)	644kg *	627kg *
Unladen Weight	3050kg *	3067kg *
Essential Habitation Equipment	0kg	
Thermal Insulation Grade	THREE	
Bed Sizes		
Front Double	2.09m x 1.23m / 1.03m / 6'10" x 4'0" / 3'5"	
Front Nearside Single		
Front Offside Single		
Rear Double	1.99m x 1.31m / 6'6" x 4'4"	
Rear Nearside Single		
Rear Offside Single		
Manual Drop Down Bed		

NOTE: 1. The **Maximum User Payload** includes:

- the **conventional load** (this is the allowance for passengers)
- essential habitation equipment** (items and fluids required for safe and proper functioning of habitation equipment)
- optional equipment** (items available from the manufacturer over and above the standard specification)
- personal effects** (those items not covered by the above)

2. The **Mass in Running Order** is the mass of the unladen vehicle including a 75kg allowance for the

driver plus engine coolants and 90% of the fuel tank and 1 x 6kg Calor Lite LPG cylinder.

3. The Mass in running order is calculated with the fresh water tank and water heater empty. If you travel with water in the fresh water tank or water heater then the payload will reduce accordingly.

4. PLEASE TAKE CARE TO ENSURE THAT YOU HAVE ALLOWED FOR THE MASSES OF ALL ITEMS YOU INTEND TO CARRY IN THE MOTOR CARAVAN, e.g. passengers, optional equipment, essential habitation equipment and personal effects, such as clothing, food, pets, bicycles, sailboards, sports equipment etc.

5. **WARNING** - UNDER NO CIRCUMSTANCES SHOULD THE MAXIMUM TECHNICAL PERMISSIBLE LADEN MASS OF THIS MOTOR CARAVAN BE EXCEEDED.

* Estimated

** For Optional Roof Ladder (Add 125mm length and 40mm height)

Bessacarr 584 Lounge Standard	Bessacarr 584 Lounge Option
Hi-Style 584 Lounge	
Low Line	
150 MJT (Option)	150 MJT AUTO (Option)
2.3Ltr	
110kW @ 3600rpm	
380Nm @ 1500rpm	
Fiat / AL-KO Low Line Chassis	
4.40m/14'5"	
1	
4	
7.77m/25'6"	
2.38m/7'10"	
2.76m/9'1"	
3500kg	
3156kg *	3173kg *
344kg *	327kg *
3000kg *	3017kg *
0kg	
THREE	
2.01m x 1.203m / 1.03m / 6'7" x 3'11" / 3'5"	
1.99m x 1.31m / 6'6" x 4'4"	

Dealer Special Editions based on Bessacarr

Model	Bessacarr 596 Standard	Bessacarr 596 Option
Dealer		
Lowdhams	Hi-Style 596	
Roof Profile	High Line	
Engine	150 MJT (Option)	150 MJT AUTO (Option)
Engine Capacity	2.3Ltr	
Max Power	110kW @ 3600rpm	
Torque	380Nm @ 1500rpm	
Chassis	Fiat / AL-KO Low Line Chassis	
Wheel base	4.70m/15'5"	
Designated Passenger Seats excluding Driver	5	
Berths (sleeping positions)	6	
Overall Length (no ladder)**	8.11m/26'7"	
Overall Width (mirrors folded)	2.38m/7'10"	
Overall Height**	2.82m/9'3"	
Maximum Technical Permissible Laden Mass (A)	4250kg	
Mass in Running Order (B)	3428kg *	3445kg *
Maximum User Payload (A-B)	822kg *	805kg *
Unladen Weight	32726kg *	3289kg *
Essential Habitation Equipment	0kg	
Thermal Insulation Grade	THREE	
Bed Sizes		
Front Double	2.09m x 1.80m / 1.21m / 6'10" x 5'11" / 4'0"	
Front Nearside Single		
Front Offside Single		
Rear Double	2.02m x 1.63m / 6'8" x 5'4"	
Rear Nearside Single	1.73m x 0.69m / 5'8" x 2'3"	
Rear Offside Single	1.63m x 0.69m / 5'4" x 2'3"	
Manual Drop Down Bed	1.96m x 1.33m / 6'5" x 4'4"	

NOTE: 1. The **Maximum User Payload** includes:

- the **conventional load** (this is the allowance for passengers)
- essential habitation equipment** (items and fluids required for safe and proper functioning of habitation equipment)
- optional equipment** (items available from the manufacturer over and above the standard specification)
- personal effects** (those items not covered by the above)

2. The **Mass in Running Order** is the mass of the unladen vehicle including a 75kg allowance for the

driver plus engine coolants and 90% of the fuel tank and 1 x 6kg Calor Lite LPG cylinder.

3. The Mass in running order is calculated with the fresh water tank and water heater empty. If you travel with water in the fresh water tank or water heater then the payload will reduce accordingly.

4. PLEASE TAKE CARE TO ENSURE THAT YOU HAVE ALLOWED FOR THE MASSES OF ALL ITEMS YOU INTEND TO CARRY IN THE MOTOR CARAVAN, e.g. passengers, optional equipment, essential habitation equipment and personal effects, such as clothing, food, pets, bicycles, sailboards, sports equipment etc.

5. **WARNING** - UNDER NO CIRCUMSTANCES SHOULD THE MAXIMUM TECHNICAL PERMISSIBLE LADEN MASS OF THIS MOTOR CARAVAN BE EXCEEDED.

* Estimated

** For Optional Roof Ladder (Add 125mm length and 40mm height)

Bessacarr 597 Standard	Bessacarr 597 Option
Hi-Style 597	
Low Line	
150 MJT	150 MJT AUTO (Option)
2.3Ltr	
110kW @ 3600rpm	
380Nm @ 1500rpm	
Fiat / AL-KO Low Line Chassis	
4.70m/15'5"	
3	
4	
8.11m/26'7"	
2.38m/7'10"	
2.76m/9'1"	
3850kg	
3338kg *	3355kg *
512kg *	495kg *
3182kg *	3199kg *
0kg	
THREE	
2.09m x 1.23m / 1.03m / 6'10" x 4'0" / 3'5"	
2.16m x 1.20m / 7'1" x 3'11"	
1.99m x 0.81m / 6'6" x 2'8"	
1.99m x 0.81m / 6'6" x 2'8"	

Dealer Special Editions based on Bessacarr

Model	Bessacarr 597 Lounge Standard	Bessacarr 597 Lounge Option
Dealer		
Lowdhams	Hi-Style 597 lounge	
Roof Profile	Low Line	
Engine	150 MJT	150 MJT AUTO (Option)
Engine Capacity	2.3Ltr	
Max Power	110kW @ 3600rpm	
Torque	380Nm @ 1500rpm	
Chassis	Fiat / AL-KO Low Line Chassis	
Wheel base	4.70m/15'5"	
Designated Passenger Seats excluding Driver	1	
Berths (sleeping positions)	4	
Overall Length (no ladder)**	8.11m/26'7"	
Overall Width (mirrors folded)	2.38m/7'10"	
Overall Height**	2.76m/9'1"	
Maximum Technical Permissible Laden Mass (A)	3500kg	
Mass in Running Order (B)	3288kg *	3305kg *
Maximum User Payload (A-B)	212kg *	195kg *
Unladen Weight	3132kg *	3149kg *
Essential Habitation Equipment	0kg	
Thermal Insulation Grade	THREE	
Bed Sizes		
Front Double	2.01m x 1.20m / 1.03m / 6'7" x 3'11" / 3'5"	
Front Nearside Single		
Front Offside Single		
Rear Double	2.16m x 1.20m / 7'1" x 3'11"	
Rear Nearside Single	1.99m x 0.81m / 6'6" x 2'8"	
Rear Offside Single	1.99m x 0.81m / 6'6" x 2'8"	
Manual Drop Down Bed		

NOTE: 1. The **Maximum User Payload** includes:

- the **conventional load** (this is the allowance for passengers)
- essential habitation equipment** (items and fluids required for safe and proper functioning of habitation equipment)
- optional equipment** (items available from the manufacturer over and above the standard specification)
- personal effects** (those items not covered by the above)

2. The **Mass in Running Order** is the mass of the unladen vehicle including a 75kg allowance for the

driver plus engine coolants and 90% of the fuel tank and 1 x 6kg Calor Lite LPG cylinder.

3. The Mass in running order is calculated with the fresh water tank and water heater empty. If you travel with water in the fresh water tank or water heater then the payload will reduce accordingly.

4. PLEASE TAKE CARE TO ENSURE THAT YOU HAVE ALLOWED FOR THE MASSES OF ALL ITEMS YOU INTEND TO CARRY IN THE MOTOR CARAVAN, e.g. passengers, optional equipment, essential habitation equipment and personal effects, such as clothing, food, pets, bicycles, sailboards, sports equipment etc.

5. **WARNING** - UNDER NO CIRCUMSTANCES SHOULD THE MAXIMUM TECHNICAL PERMISSIBLE LADEN MASS OF THIS MOTOR CARAVAN BE EXCEEDED.

* Estimated

** For Optional Roof Ladder (Add 125mm length and 40mm height)

Bessacarr 599 Standard	Bessacarr 599 Option
Hi-Style 599	
Low Line	
150 MJT	150 MJT AUTO (Option)
2.3Ltr	
110kW @ 3600rpm	
380Nm @ 1500rpm	
Fiat / AL-KO Low Line Chassis	
4.70m/15'5"	
3	
4	
8.11m/26'7"	
2.38m/7'10"	
2.76m/9'1"	
3850kg	
3318kg *	3335kg *
532kg *	515kg *
3162kg *	3179kg *
0kg	
THREE	
2.09m x 1.23m / 1.03m / 6'10" x 4'0" / 3'5"	
2.00m x 1.33m / 6'7" x 4'5"	

Dealer Special Editions based on Bessacarr

Model	Bessacarr 599 Lounge Standard	Bessacarr 599 Lounge Option
Dealer		
Lowdhams	Hi-Style 599 Lounge	
Roof Profile	Low Line	
Engine	150 MJT	150 MJT AUTO (Option)
Engine Capacity	2.3Ltr	
Max Power	110kW @ 3600rpm	
Torque	380Nm @ 1500rpm	
Chassis	Fiat / AL-KO Low Line Chassis	
Wheel base	4.70m/15'5"	
Designated Passenger Seats excluding Driver	1	
Berths (sleeping positions)	4	
Overall Length (no ladder)**	8.11m/26'7"	
Overall Width (mirrors folded)	2.38m/7'10"	
Overall Height**	2.76m/9'1"	
Maximum Technical Permissible Laden Mass (A)	3500kg	
Mass in Running Order (B)	32682kg *	3285kg *
Maximum User Payload (A-B)	232kg *	215kg *
Unladen Weight	3112kg *	3129kg *
Essential Habitation Equipment	0kg	
Thermal Insulation Grade	THREE	
Bed Sizes		
Front Double	2.01m x 1.20m / 1.03m / 6'7" x 3'11" / 3'5"	
Front Nearside Single		
Front Offside Single		
Rear Double	2.00m x 1.33m / 6'7" x 4'5"	
Rear Nearside Single		
Rear Offside Single		
Manual Drop Down Bed		

NOTE: 1. **The Maximum User Payload** includes:

- the **conventional load** (this is the allowance for passengers)
- essential habitation equipment** (items and fluids required for safe and proper functioning of habitation equipment)
- optional equipment** (items available from the manufacturer over and above the standard specification)
- personal effects** (those items not covered by the above)

2. The **Mass in Running Order** is the mass of the unladen vehicle including a 75kg allowance for the

driver plus engine coolants and 90% of the fuel tank and 1 x 6kg Calor Lite LPG cylinder.

3. The Mass in running order is calculated with the fresh water tank and water heater empty. If you travel with water in the fresh water tank or water heater then the payload will reduce accordingly.

4. PLEASE TAKE CARE TO ENSURE THAT YOU HAVE ALLOWED FOR THE MASSES OF ALL ITEMS YOU INTEND TO CARRY IN THE MOTOR CARAVAN, e.g. passengers, optional equipment, essential habitation equipment and personal effects, such as clothing, food, pets, bicycles, sailboards, sports equipment etc.

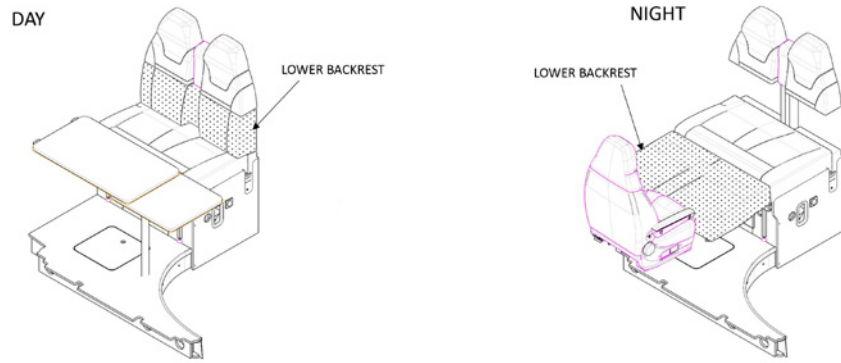
5. **WARNING** - UNDER NO CIRCUMSTANCES SHOULD THE MAXIMUM TECHNICAL PERMISSIBLE LADEN MASS OF THIS MOTOR CARAVAN BE EXCEEDED.

* Estimated

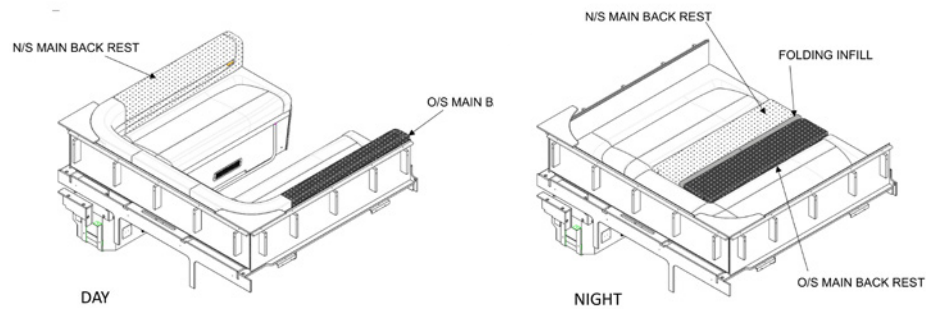
** For Optional Roof Ladder (Add 125mm length and 40mm height)

Bed make up

Bed make up in Escape Compact C25 and C40 front bed

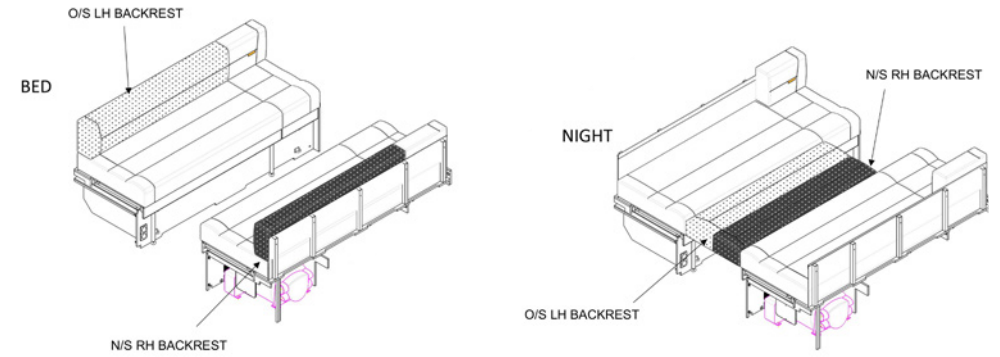


Bed make up in Escape Compact C40 rear bed Bessacarr 562 and Kon-tiki 649 rear bed

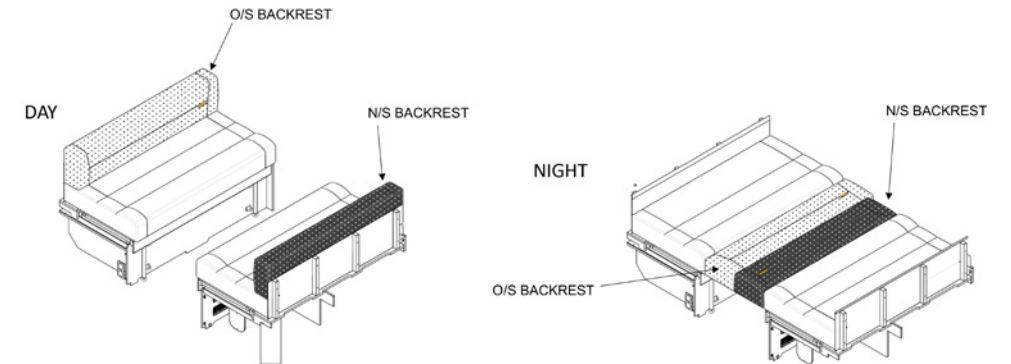


Bed make up

Bed make up in Rio 320 rear seat

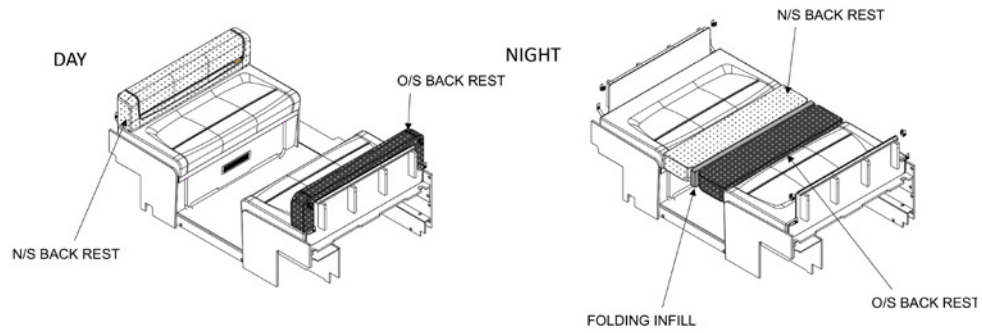


Bed make up in Rio 340 rear seat

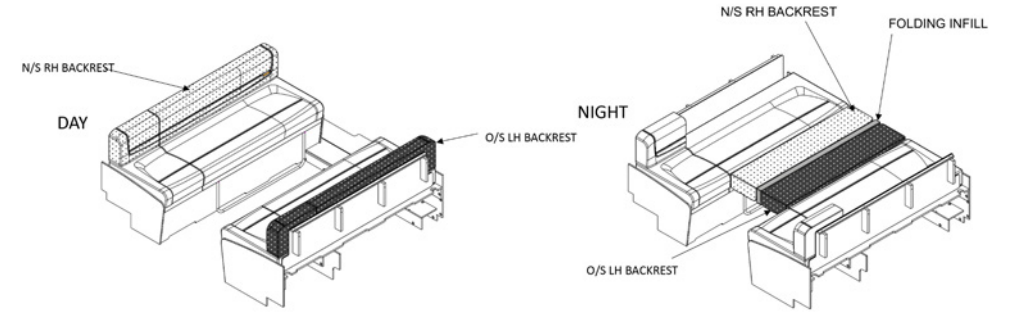


Bed make up

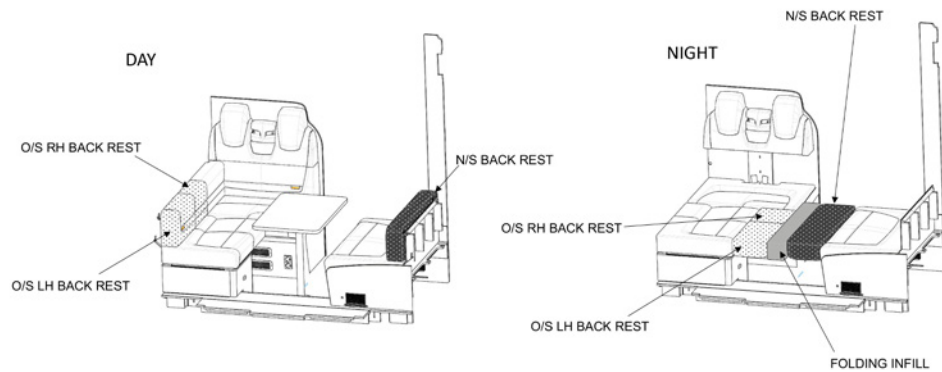
Bed make up in Bessacarr 512 front bed



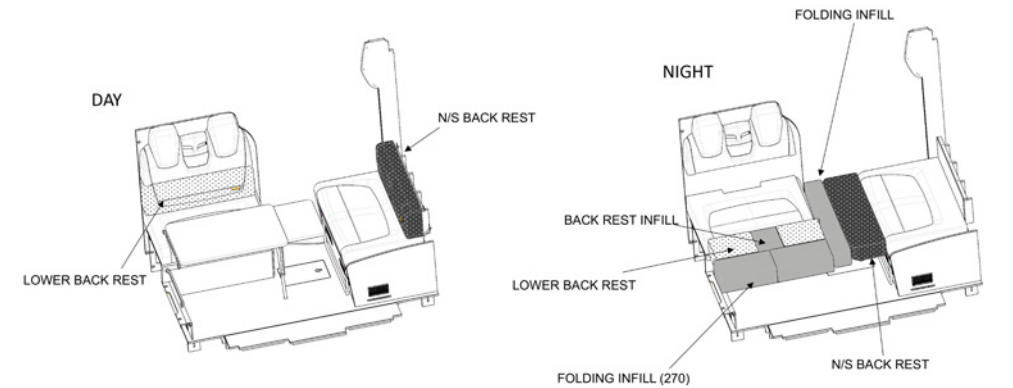
Bed make up in Bessacarr 542 front bed



Bed make up in Bessacarr 524, 584 Kon-tiki 635, 650 and 675 front bed

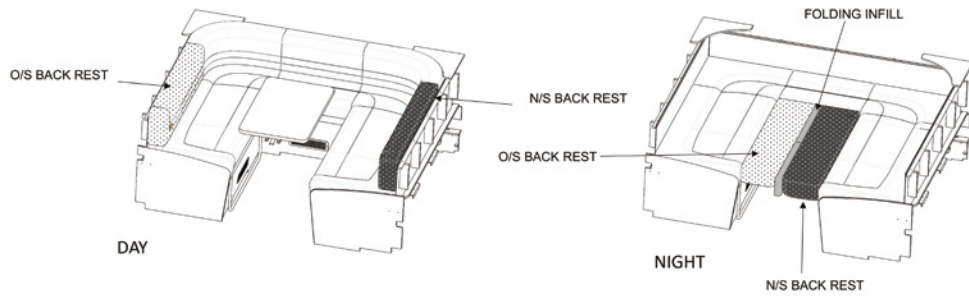


Bed make up in Bessacarr 560, 574, 597 and 599 front bed

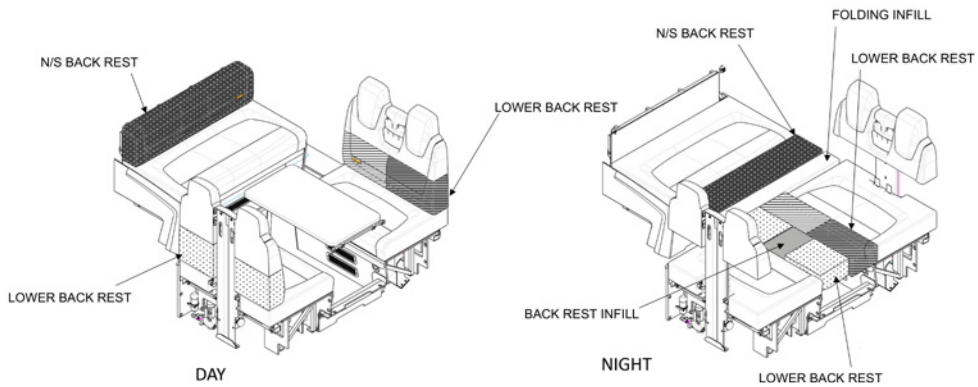


Bed make up

Bed make up in Bessacarr 596 bed make ups

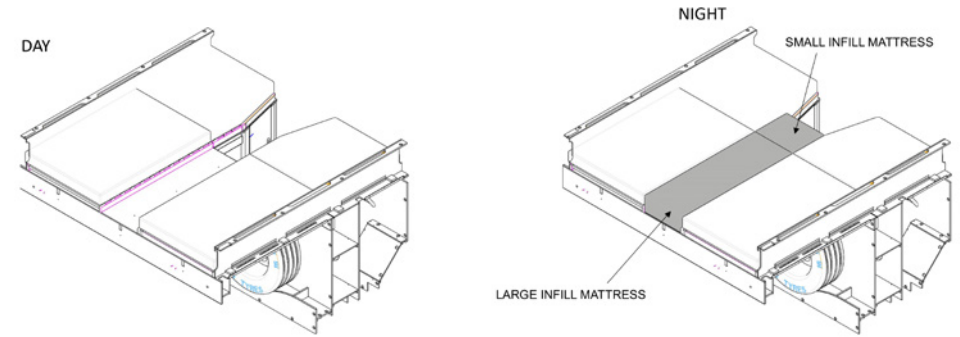


Bed make up in Bessacarr 596 and Kon-tiki 649 front bed

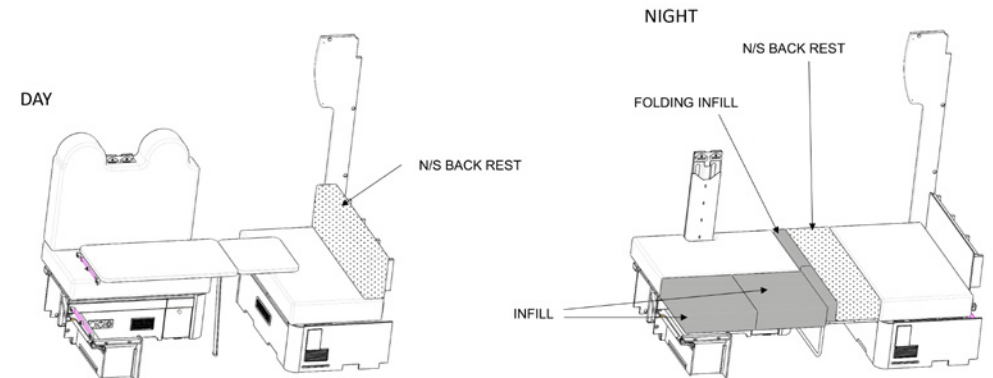


Bed make up

Bessacarr 597, Kon-tiki 635, 675 and Toscane 794E rear bed

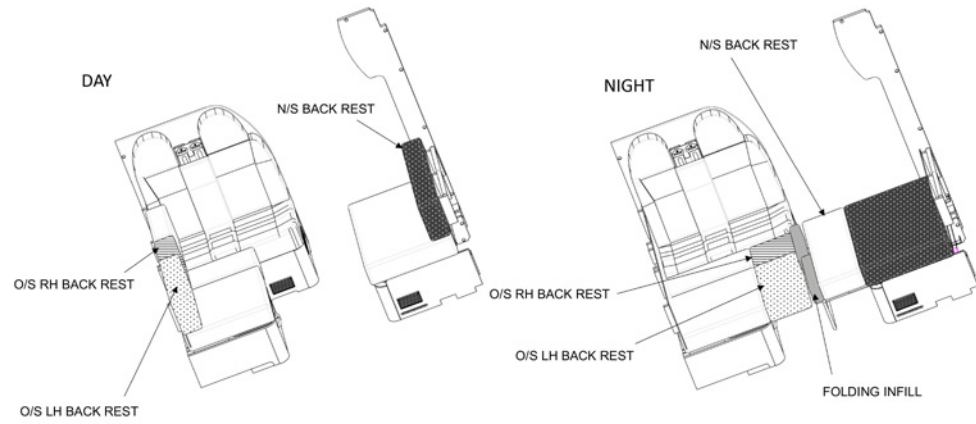


Bed make up in Kon-tiki 625 front bed

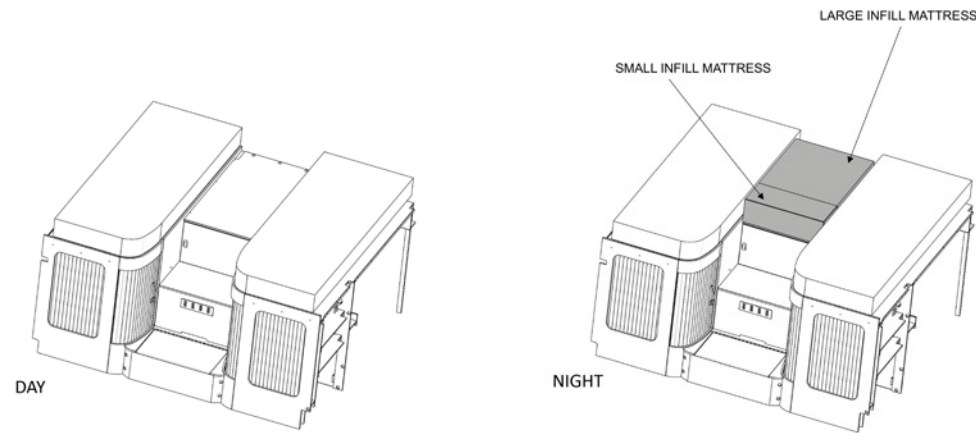


Bed make up

Bed make up in Kon-tiki 635 front bed

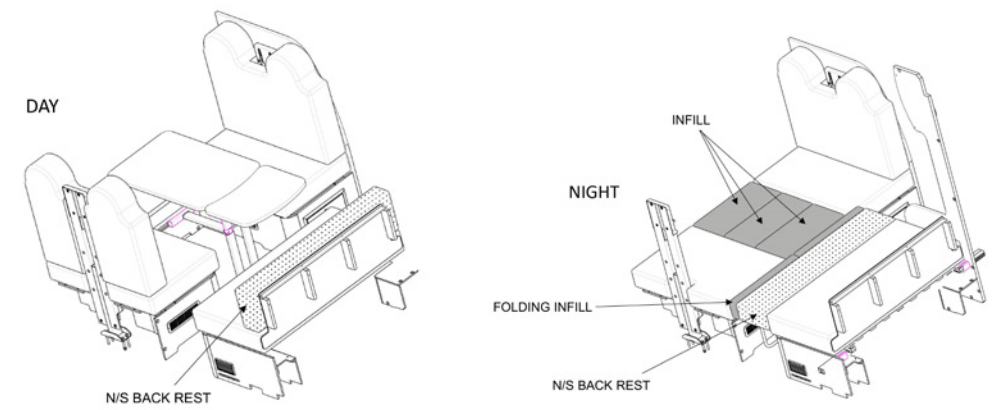


Bed make up in Kon-tiki 635 rear bed

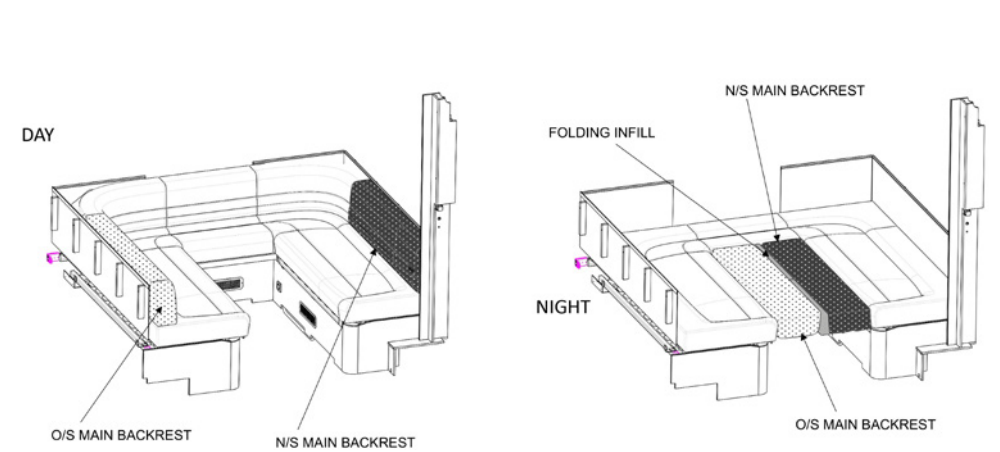


Bed make up

Bed make up in Kon-tiki 649 front bed

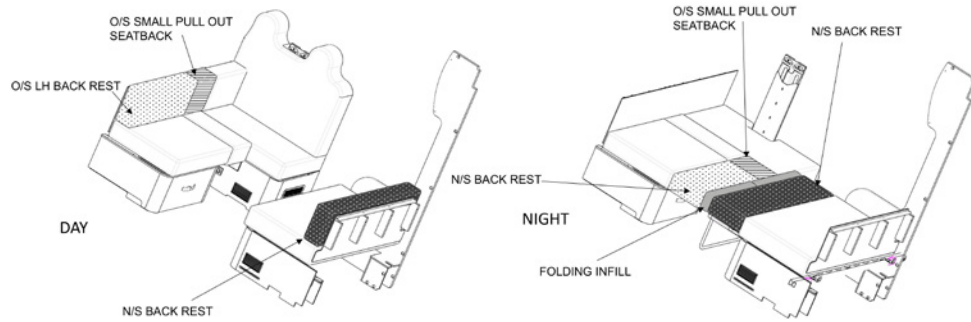


Bed make up in Kon-tiki 649 rear bed



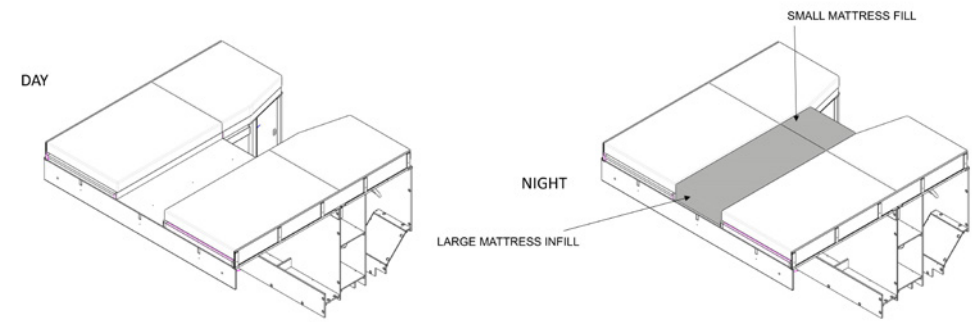
Bed make up

Bed make up in Kon-tiki 669 and 679 front bed

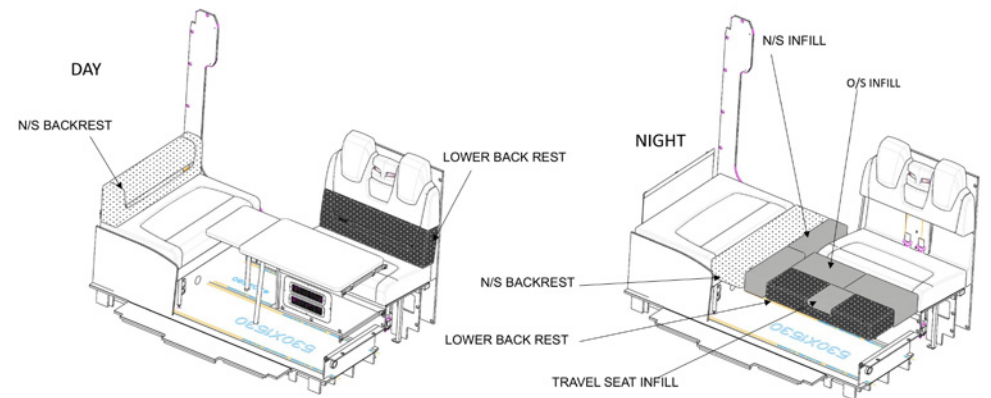


Bed make up

Bed make up in Toscane 794EB rear bed



Bed make up in Toscane 794EB, 794QB and 774EB front bed



Bed make up