



Swift Group
Dunswell Road
Cottingham
East Yorkshire HU16 4JX
Tel **01482 875740**
Fax **01482 840082**
email enquiry@swiftgroup.co.uk

For more information visit
www.swiftgroup.co.uk

Issued July 2012



Kon-Tiki Tech Handbook



Standard Specifications 2

Optional Specifications 4

Capacities 10

Towing Capabilities 12

Jacking 14

Wiring Diagrams 15

Bulb Chart 21

Bulb Replacement..... 22

Standard Specifications 2.3L Manual

Model	Kon-Tiki 659	Kon-Tiki 669	Kon-Tiki 669
Roof Profile	Low Line	Low Line	High Line
Engine	150 MJT	150 MJT	150 MJT
Engine Capacity	2287cc	2287cc	2287cc
Max Power	109kW @ 3600rpm	109kW @ 3600rpm	109kW @ 3600rpm
Torque	350Nm @ 1500rpm	350Nm @ 1500rpm	350Nm @ 1500rpm
Chassis	Fiat AL-KO low line	Fiat AL-KO low line	Fiat AL-KO low line
Wheel base	4.60m /15' 1"- 0.80m/2' 7"	4.60m /15' 1"- 0.80m/2' 7"	4.60m /15' 1"- 0.80m/2' 7"
Designated Passenger Seats	3	3	3
Berths (sleeping positions)	4	4	6
Overall Length *	8.56m/ 28' 1"	8.56m/ 28' 1"	8.56m/ 28' 1"
Overall Width (mirrors folded)	2.35m/ 7' 8"	2.35m/ 7' 8"	2.35m/ 7' 8"
Overall Height**	2.98m/ 9' 9"	2.98m/ 9' 9"	3.08m/ 10' 1"
Maximum Technical Permissible Laden Mass (A)	5000kg	5000kg	5000kg
Mass in Running Order (B)†	4135kg	4230kg	4290kg
Maximum User Payload (A-B)	865kg	770kg	710kg
Unladen Weight	3816kg	3911kg	3971kg
Essential Habitation Equipment	9kg	9kg	9kg
Thermal Insulation Grade	THREE	THREE	THREE
Bed Sizes			
Front Double	2.12m x 1.38m/ 6'11" x 4'6"	2.08m x 1.38m/ 6'10" x 4'6"	2.08m x 1.38m/ 6'10" x 4'6"
Front Offside Single			
Rear Double	1.92m x 1.36m/ 6'4" x 4'6"	1.86m x 1.30m/ 6'1" x 4'3"	1.86m x 1.30m/ 6'1" x 4'3"
Rear Offside Single			
Rear Nearside Single			
Overcab Bed			1.91m x 1.37m/ 6'3" x 4'6"

Kon-Tiki 679	Kon-Tiki 679	Kon-Tiki 649
Low Line	High Line	High Line
150 MJT	150 MJT	150 MJT
2287cc	2287cc	2287cc
109kW @ 3600rpm	109kW @ 3600rpm	109kW @ 3600rpm
350Nm @ 1500rpm	350Nm @ 1500rpm	350Nm @ 1500rpm
Fiat AL-KO low line	Fiat AL-KO low line	Fiat AL-KO low line
4.60m /15' 1"- 0.80m/2' 7"	4.60m /15' 1"- 0.80m/2' 7"	4.60m /15' 1"- 0.80m/2' 7"
3	3	5
4	6	6
8.56m/ 28' 1"	8.56m/ 28' 1"	8.56m/ 28' 1"
2.35m/ 7' 8"	2.35m/ 7' 8"	2.35m/ 7' 8"
2.98m/ 9' 9"	3.08m/ 10' 1"	3.08m/ 10' 1"
5000kg	5000kg	5000kg
4230kg	4290kg	4295kg
770kg	710kg	705kg
3911kg	3971kg	3976kg
9kg	9kg	9kg
THREE	THREE	THREE
2.08m x 1.38m/ 6'10" x 4'6"	2.08m x 1.38m/ 6'10" x 4'6"	2.12m x 1.38m/ 7'0" x 4'6"
2.04m x 1.30m/ 6'8" x 4'3"	2.04m x 1.30m/ 6'8" x 4'3"	2.08m x 1.39m/ 6'10" x 4'7"
		1.86m x 0.70m/ 6'1" x 2'4"
		1.88m x 0.70m/ 6'2" x 2'5"
	1.91m x 1.37m/ 6'3" x 4'6"	1.91m x 1.37m/ 6'3" x 4'6"

NOTE: 1. The Maximum User Payload includes:

- a) the **conventional load** (this is the allowance for passengers)
- b) **essential habitation equipment** (items and fluids required for safe and proper functioning of habitation equipment)
- c) **optional equipment** (items available from the manufacturer over and above the standard specification)
- d) **personal effects** (those items not covered by the above)

2. The **Mass in Running Order** is the mass of the unladen vehicle including a 75kg allowance for the driver plus engine coolants and 90% of the fuel tank, water tank and gas capacity.

3. PLEASE TAKE CARE TO ENSURE THAT YOU HAVE ALLOWED FOR THE MASSES OF ALL ITEMS YOU INTEND TO CARRY IN THE MOTOR CARAVAN, e.g. passengers, optional equipment, essential habitation equipment and personal effects, such as clothing, food, pets, bicycles, sailboards, sports equipment etc.

4. **WARNING** - UNDER NO CIRCUMSTANCES SHOULD THE MAXIMUM TECHNICAL PERMISSIBLE LADEN MASS OF THIS MOTOR CARAVAN BE EXCEEDED.

* Add 120mm to length if ladder option fitted.

** Add 100mm to height on low line if ladder option fitted.

Optional Specifications 2.3L Auto

Model	Kon-Tiki 659	Kon-Tiki 669	Kon-Tiki 669
Roof Profile	Low Line	Low Line	High Line
Engine	150 MJT Auto	150 MJT Auto	150 MJT Auto
Engine Capacity	2287cc	2287cc	2287cc
Max Power	109kW @ 3600rpm	109kW @ 3600rpm	109kW @ 3600rpm
Torque	350Nm @ 1500rpm	350Nm @ 1500rpm	350Nm @ 1500rpm
Chassis	Fiat AL-KO low line	Fiat AL-KO low line	Fiat AL-KO low line
Wheel base	4.60m /15' 1"- 0.80m/2' 7"	4.60m /15' 1"- 0.80m/2' 7"	4.60m /15' 1"- 0.80m/2' 7"
Designated Passenger Seats	3	3	3
Berths (sleeping positions)	4	4	6
Overall Length*	8.56m/ 28' 1"	8.56m/ 28' 1"	8.56m/ 28' 1"
Overall Width (mirrors folded)	2.35m/ 7' 8"	2.35m/ 7' 8"	2.35m/ 7' 8"
Overall Height**	2.98m/ 9' 9"	2.98m/ 9' 9"	3.08m/ 10' 1"
Maximum Technical Permissible Laden Mass (A)	5000kg	5000kg	5000kg
Mass in Running Order (B)†	4152kg	4247kg	4307kg
Maximum User Payload (A-B)	848kg	753kg	693kg
Unladen Weight	3833kg	3928kg	3988kg
Essential Habitation Equipment	9kg	9kg	9kg
Thermal Insulation Grade	THREE	THREE	THREE
Bed Sizes			
Front Double	2.12m x 1.38m/ 6'11" x 4'6"	2.08m x 1.38m/ 6'10" x 4'6"	2.08m x 1.38m/ 6'10" x 4'6"
Front Offside Single			
Rear Double	1.92m x 1.36m/ 6'4" x 4'6"	1.86m x 1.30m/ 6'1" x 4'3"	1.86m x 1.30m/ 6'1" x 4'3"
Rear Offside Single			
Rear Nearside Single			
Overcab Bed			1.91m x 1.37m/ 6'3" x 4'6"

Kon-Tiki 679	Kon-Tiki 679	Kon-Tiki 649
Low Line	High Line	High Line
150 MJT Auto	150 MJT Auto	150 MJT Auto
2287cc	2287cc	2287cc
109kW @ 3600rpm	109kW @ 3600rpm	109kW @ 3600rpm
350Nm @ 1500rpm	350Nm @ 1500rpm	350Nm @ 1500rpm
Fiat AL-KO low line	Fiat AL-KO low line	Fiat AL-KO low line
4.60m /15' 1"- 0.80m/2' 7"	4.60m /15' 1"- 0.80m/2' 7"	4.60m /15' 1"- 0.80m/2' 7"
3	3	5
4	6	6
8.56m/ 28' 1"	8.56m/ 28' 1"	8.56m/ 28' 1"
2.35m/ 7' 8"	2.35m/ 7' 8"	2.35m/ 7' 8"
2.98m/ 9' 9"	3.08m/ 10' 1"	3.08m/ 10' 1"
5000kg	5000kg	5000kg
4247kg	4307kg	4312kg
753kg	693kg	688kg
3928kg	3988kg	3993kg
9kg	9kg	9kg
THREE	THREE	THREE
2.08m x 1.38m/ 6'10" x 4'6"	2.08m x 1.38m/ 6'10" x 4'6"	2.12m x 1.38m/ 7'0" x 4'6"
2.04m x 1.30m/ 6'8" x 4'3"	2.04m x 1.30m/ 6'8" x 4'3"	2.08m x 1.39m/ 6'10" x 4'7"
		1.86m x 0.70m/ 6'1" x 2'4"
		1.88m x 0.70m/ 6'2" x 2'5"
	1.91m x 1.37m/ 6'3" x 4'6"	1.91m x 1.37m/ 6'3" x 4'6"

NOTE: 1. **The Maximum User Payload** includes:

- the **conventional load** (this is the allowance for passengers)
- essential habitation equipment** (items and fluids required for safe and proper functioning of habitation equipment)
- optional equipment** (items available from the manufacturer over and above the standard specification)
- personal effects** (those items not covered by the above)

2. The **Mass in Running Order** is the mass of the unladen vehicle including a 75kg allowance for the driver plus engine coolants and 90% of the fuel tank, water tank and gas capacity.

3. PLEASE TAKE CARE TO ENSURE THAT YOU HAVE ALLOWED FOR THE MASSES OF ALL ITEMS YOU INTEND TO CARRY IN THE MOTOR CARAVAN, e.g. passengers, optional equipment, essential habitation equipment and personal effects, such as clothing, food, pets, bicycles, sailboards, sports equipment etc.

4. **WARNING** - UNDER NO CIRCUMSTANCES SHOULD THE MAXIMUM TECHNICAL PERMISSIBLE LADEN MASS OF THIS MOTOR CARAVAN BE EXCEEDED.

* Add 120mm to length if ladder option fitted.

** Add 100mm to height on low line if ladder option fitted.

Optional Specifications - 3.0L Manual

Model	Kon-Tiki 659	Kon-Tiki 669	Kon-Tiki 669
Roof Profile	Low Line	Low Line	High Line
Engine	180 MJT	180 MJT	180 MJT
Engine Capacity	2999cc	2999cc	2999cc
Max Power	130kw @ 3500rpm	130kw @ 3500rpm	130kw @ 3500rpm
Torque	400Nm @ 1400rpm	400Nm @ 1400rpm	400Nm @ 1400rpm
Chassis	Fiat AL-KO low line	Fiat AL-KO low line	Fiat AL-KO low line
Wheel base	4.60m /15' 1"- 0.80m/2' 7"	4.60m /15' 1"- 0.80m/2' 7"	4.60m /15' 1"- 0.80m/2' 7"
Designated Passenger Seats	3	3	3
Berths (sleeping positions)	4	4	6
Overall Length*	8.56m/ 28' 1"	8.56m/ 28' 1"	8.56m/ 28' 1"
Overall Width (mirrors folded)	2.35m/ 7' 8"	2.35m/ 7' 8"	2.35m/ 7' 8"
Overall Height**	2.98m/ 9' 9"	2.98m/ 9' 9"	3.08m/ 10' 1"
Maximum Technical Permissible Laden Mass (A)	5000kg	5000kg	5000kg
Mass in Running Order (B)†	4185kg	4280kg	4340kg
Maximum User Payload (A-B)	815kg	720kg	660kg
Unladen Weight	3866kg	3961kg	4021kg
Essential Habitation Equipment	9kg	9kg	9kg
Thermal Insulation Grade	THREE	THREE	THREE
Bed Sizes			
Front Double	2.12m x 1.38m/ 6'11" x 4'6"	2.08m x 1.38m/ 6'10" x 4'6"	2.08m x 1.38m/ 6'10" x 4'6"
Front Offside Single			
Rear Double	1.92m x 1.36m/ 6'4" x 4'6"	1.86m x 1.30m/ 6'1" x 4'3"	1.86m x 1.30m/ 6'1" x 4'3"
Rear Offside Single			
Rear Nearside Single			
Overcab Bed			1.91m x 1.37m/ 6'3" x 4'6"

Kon-Tiki 679	Kon-Tiki 679	Kon-Tiki 649
Low Line	High Line	High Line
180 MJT	180 MJT	180 MJT
2999cc	2999cc	2999cc
130kw @ 3500rpm	130kw @ 3500rpm	130kw @ 3500rpm
400Nm @ 1400rpm	400Nm @ 1400rpm	400Nm @ 1400rpm
Fiat AL-KO low line	Fiat AL-KO low line	Fiat AL-KO low line
4.60m /15' 1"- 0.80m/2' 7"	4.60m /15' 1"- 0.80m/2' 7"	4.60m /15' 1"- 0.80m/2' 7"
3	3	5
4	6	6
8.56m/ 28' 1"	8.56m/ 28' 1"	8.56m/ 28' 1"
2.35m/ 7' 8"	2.35m/ 7' 8"	2.35m/ 7' 8"
2.98m/ 9' 9"	3.08m/ 10' 1"	3.08m/ 10' 1"
5000kg	5000kg	5000kg
4280kg	4340kg	4345kg
720kg	660kg	655kg
3961kg	4021kg	4026kg
9kg	9kg	9kg
THREE	THREE	THREE
2.08m x 1.38m/ 6'10" x 4'6"	2.08m x 1.38m/ 6'10" x 4'6"	2.12m x 1.38m/ 7'0" x 4'6"
2.04m x 1.30m/ 6'8" x 4'3"	2.04m x 1.30m/ 6'8" x 4'3"	2.08m x 1.39m/ 6'10" x 4'7"
		1.86m x 0.70m/ 6'1" x 2'4"
		1.88m x 0.70m/ 6'2" x 2'5"
	1.91m x 1.37m/ 6'3" x 4'6"	1.91m x 1.37m/ 6'3" x 4'6"

NOTE: 1. **The Maximum User Payload** includes:

- the **conventional load** (this is the allowance for passengers)
- essential habitation equipment** (items and fluids required for safe and proper functioning of habitation equipment)
- optional equipment** (items available from the manufacturer over and above the standard specification)
- personal effects** (those items not covered by the above)

2. The **Mass in Running Order** is the mass of the unladen vehicle including a 75kg allowance for the driver plus engine coolants and 90% of the fuel tank, water tank and gas capacity.

3. PLEASE TAKE CARE TO ENSURE THAT YOU HAVE ALLOWED FOR THE MASSES OF ALL ITEMS YOU INTEND TO CARRY IN THE MOTOR CARAVAN, e.g. passengers, optional equipment, essential habitation equipment and personal effects, such as clothing, food, pets, bicycles, sailboards, sports equipment etc.

4. **WARNING** - UNDER NO CIRCUMSTANCES SHOULD THE MAXIMUM TECHNICAL PERMISSIBLE LADEN MASS OF THIS MOTOR CARAVAN BE EXCEEDED.

* Add 120mm to length if ladder option fitted.

** Add 100mm to height on low line if ladder option fitted.

Optional Specifications - 3.0L Auto

Model	Kon-Tiki 659	Kon-Tiki 669	Kon-Tiki 669
Roof Profile	Low Line	Low Line	High Line
Engine	180 MJT Auto	180 MJT Auto	180 MJT Auto
Engine Capacity	2999cc	2999cc	2999cc
Max Power	130kw @ 3500rpm	130kw @ 3500rpm	130kw @ 3500rpm
Torque	400Nm @ 1400rpm	400Nm @ 1400rpm	400Nm @ 1400rpm
Chassis	Fiat AL-KO low line	Fiat AL-KO low line	Fiat AL-KO low line
Wheel base	4.60m /15' 1"- 0.80m/2' 7"	4.60m /15' 1"- 0.80m/2' 7"	4.60m /15' 1"- 0.80m/2' 7"
Designated Passenger Seats	3	3	3
Berths (sleeping positions)	4	4	6
Overall Length*	8.56m/ 28' 1"	8.56m/ 28' 1"	8.56m/ 28' 1"
Overall Width (mirrors folded)	2.35m/ 7' 8"	2.35m/ 7' 8"	2.35m/ 7' 8"
Overall Height**	2.98m/ 9' 9"	2.98m/ 9' 9"	3.08m/ 10' 1"
Maximum Technical Permissible Laden Mass (A)	5000kg	5000kg	5000kg
Mass in Running Order (B)†	4202kg	4297kg	4357kg
Maximum User Payload (A-B)	798kg	703kg	643kg
Unladen Weight	3883kg	3978kg	4038kg
Essential Habitation Equipment	9kg	9kg	9kg
Thermal Insulation Grade	THREE	THREE	THREE
Bed Sizes			
Front Double	2.12m x 1.38m/ 6'11" x 4'6"	2.08m x 1.38m/ 6'10" x 4'6"	2.08m x 1.38m/ 6'10" x 4'6"
Front Offside Single			
Rear Double	1.92m x 1.36m/ 6'4" x 4'6"	1.86m x 1.30m/ 6'1" x 4'3"	1.86m x 1.30m/ 6'1" x 4'3"
Rear Offside Single			
Rear Nearside Single			
Overcab Bed			1.91m x 1.37m/ 6'3" x 4'6"

Kon-Tiki 679	Kon-Tiki 679	Kon-Tiki 649
Low Line	High Line	High Line
180 MJT Auto	180 MJT Auto	180 MJT Auto
2999cc	2999cc	2999cc
130kw @ 3500rpm	130kw @ 3500rpm	130kw @ 3500rpm
400Nm @ 1400rpm	400Nm @ 1400rpm	400Nm @ 1400rpm
Fiat AL-KO low line	Fiat AL-KO low line	Fiat AL-KO low line
4.60m /15' 1"- 0.80m/2' 7"	4.60m /15' 1"- 0.80m/2' 7"	4.60m /15' 1"- 0.80m/2' 7"
3	3	5
4	6	6
8.56m/ 28' 1"	8.56m/ 28' 1"	8.56m/ 28' 1"
2.35m/ 7' 8"	2.35m/ 7' 8"	2.35m/ 7' 8"
2.98m/ 9' 9"	3.08m/ 10' 1"	3.08m/ 10' 1"
5000kg	5000kg	5000kg
4297kg	4357kg	4362kg
703kg	643kg	638kg
3978kg	4038kg	4043kg
9kg	9kg	9kg
THREE	THREE	THREE
2.08m x 1.38m/ 6'10" x 4'6"	2.08m x 1.38m/ 6'10" x 4'6"	2.12m x 1.38m/ 7'0" x 4'6"
2.04m x 1.30m/ 6'8" x 4'3"	2.04m x 1.30m/ 6'8" x 4'3"	2.08m x 1.39m/ 6'10" x 4'7"
		1.86m x 0.70m/ 6'1" x 2'4"
		1.88m x 0.70m/ 6'2" x 2'5"
	1.91m x 1.37m/ 6'3" x 4'6"	1.91m x 1.37m/ 6'3" x 4'6"

NOTE: 1. **The Maximum User Payload** includes:

- the **conventional load** (this is the allowance for passengers)
- essential habitation equipment** (items and fluids required for safe and proper functioning of habitation equipment)
- optional equipment** (items available from the manufacturer over and above the standard specification)
- personal effects** (those items not covered by the above)

2. The **Mass in Running Order** is the mass of the unladen vehicle including a 75kg allowance for the driver plus engine coolants and 90% of the fuel tank, water tank and gas capacity.

3. PLEASE TAKE CARE TO ENSURE THAT YOU HAVE ALLOWED FOR THE MASSES OF ALL ITEMS YOU INTEND TO CARRY IN THE MOTOR CARAVAN, e.g. passengers, optional equipment, essential habitation equipment and personal effects, such as clothing, food, pets, bicycles, sailboards, sports equipment etc.

4. **WARNING** - UNDER NO CIRCUMSTANCES SHOULD THE MAXIMUM TECHNICAL PERMISSIBLE LADEN MASS OF THIS MOTOR CARAVAN BE EXCEEDED.

* Add 120mm to length if ladder option fitted.

** Add 100mm to height on low line if ladder option fitted.

Capacities

Water Tank Capacities

	Fresh Water Tank	Waste Water Tank	Water Heater
Kon-Tiki	125 litre	100 litre	8.5 litre

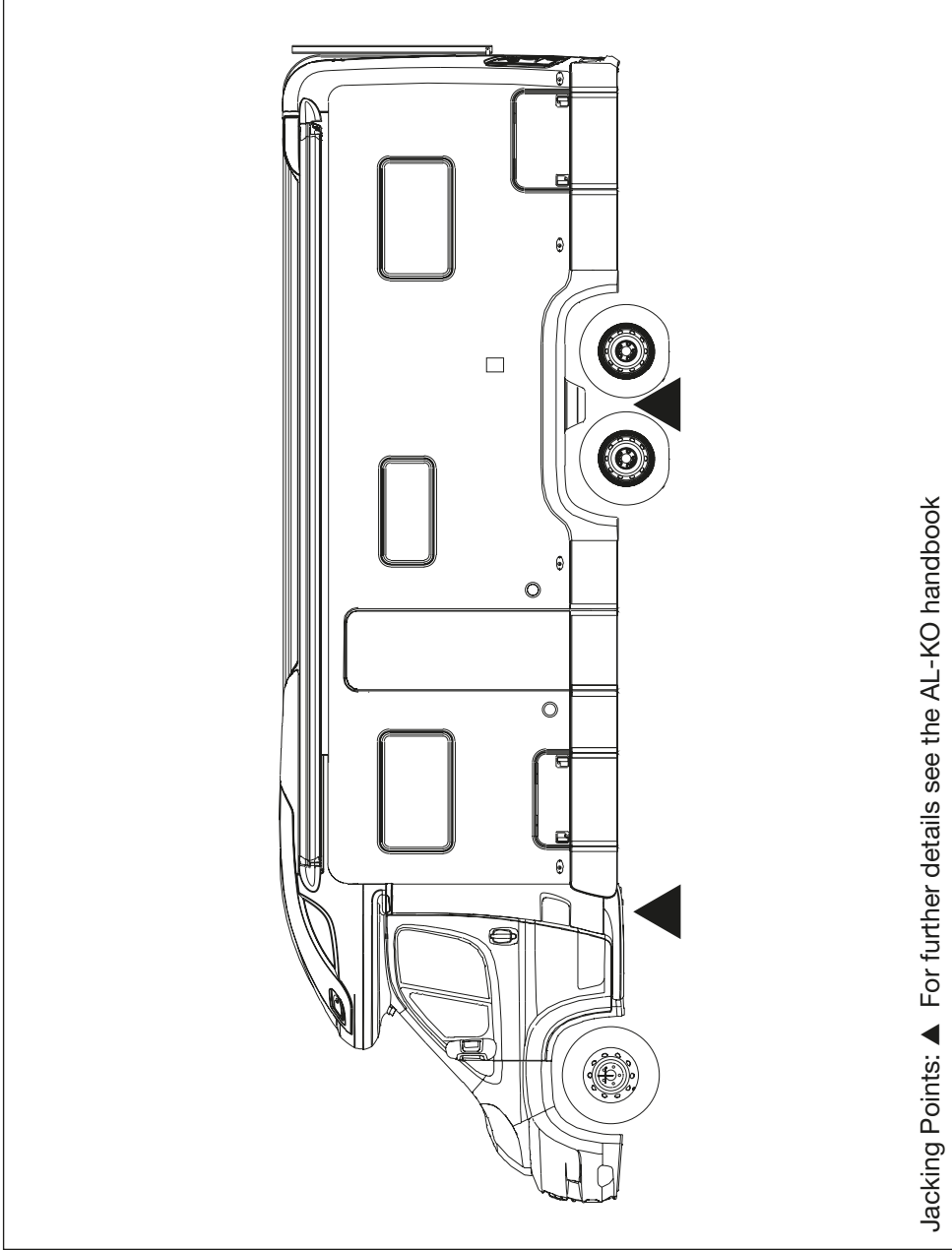
Gas Capacities

	Capacity
Kon-Tiki	2 x 13kg

The above are recommended gas bottle sizes

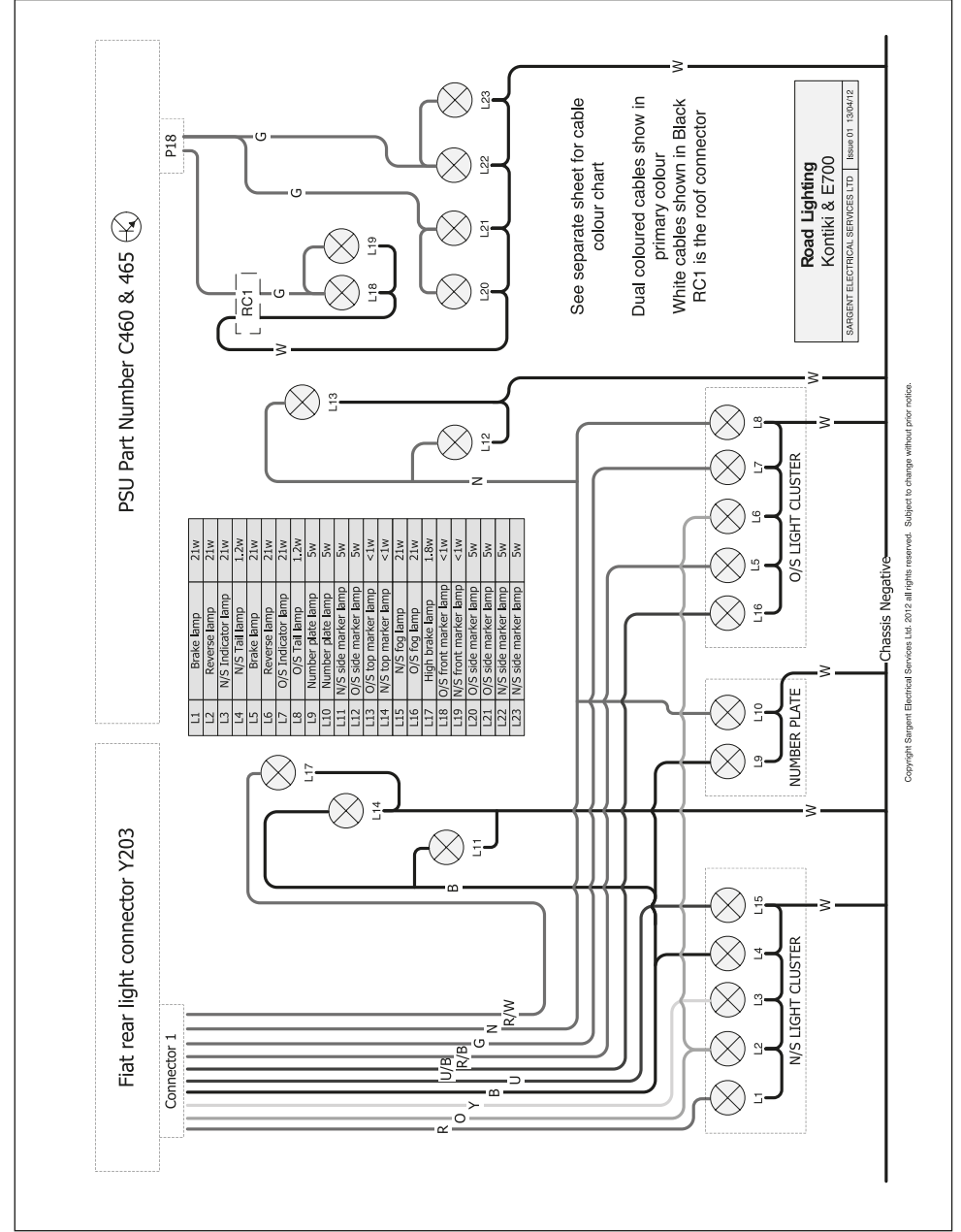
NOTICE : For technical data on the base vehicle please refer to manufacturer's handbook

Kon-Tiki



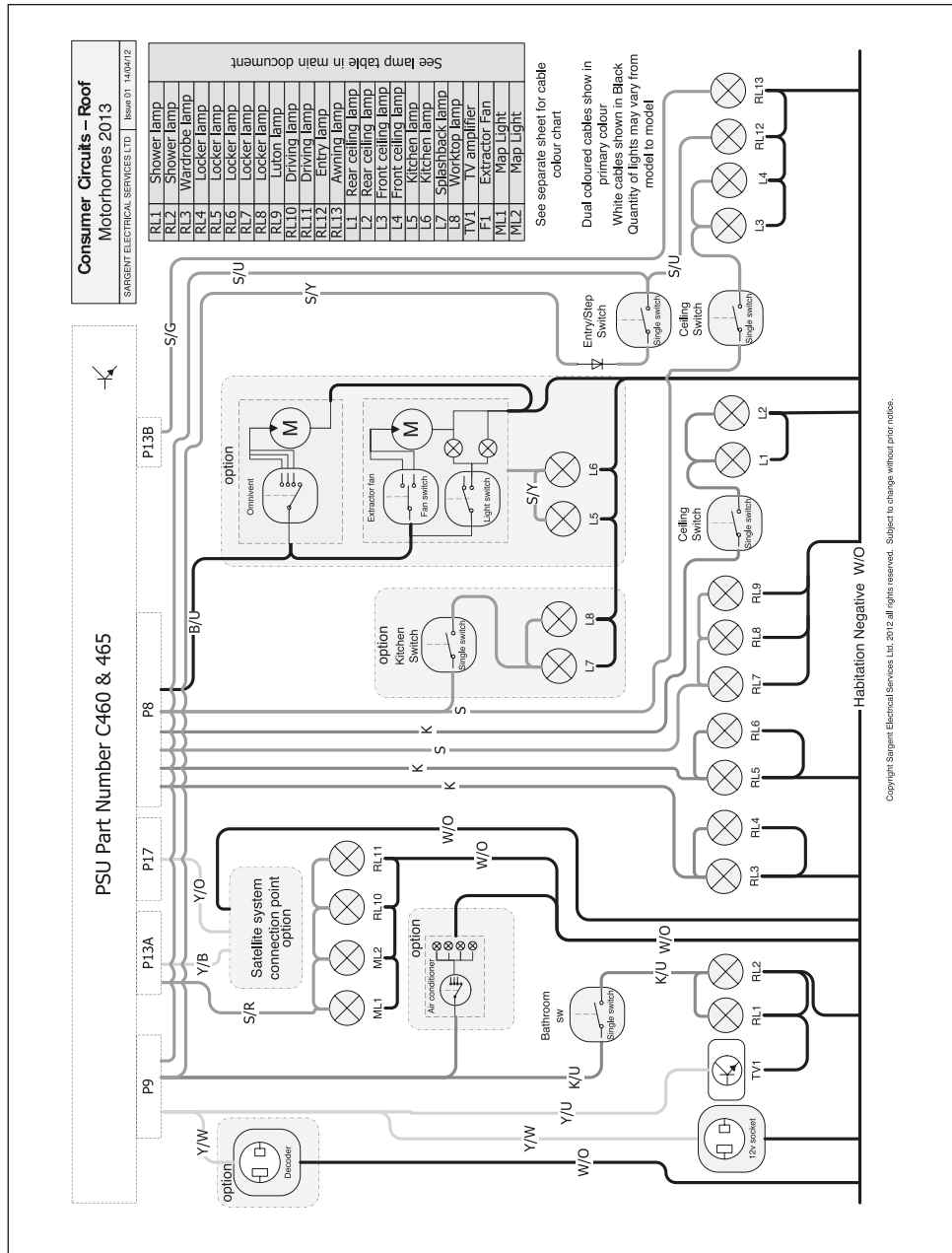
Jacking Points: ▲ For further details see the AL-KO handbook

Kon-Tiki - Road lighting circuits

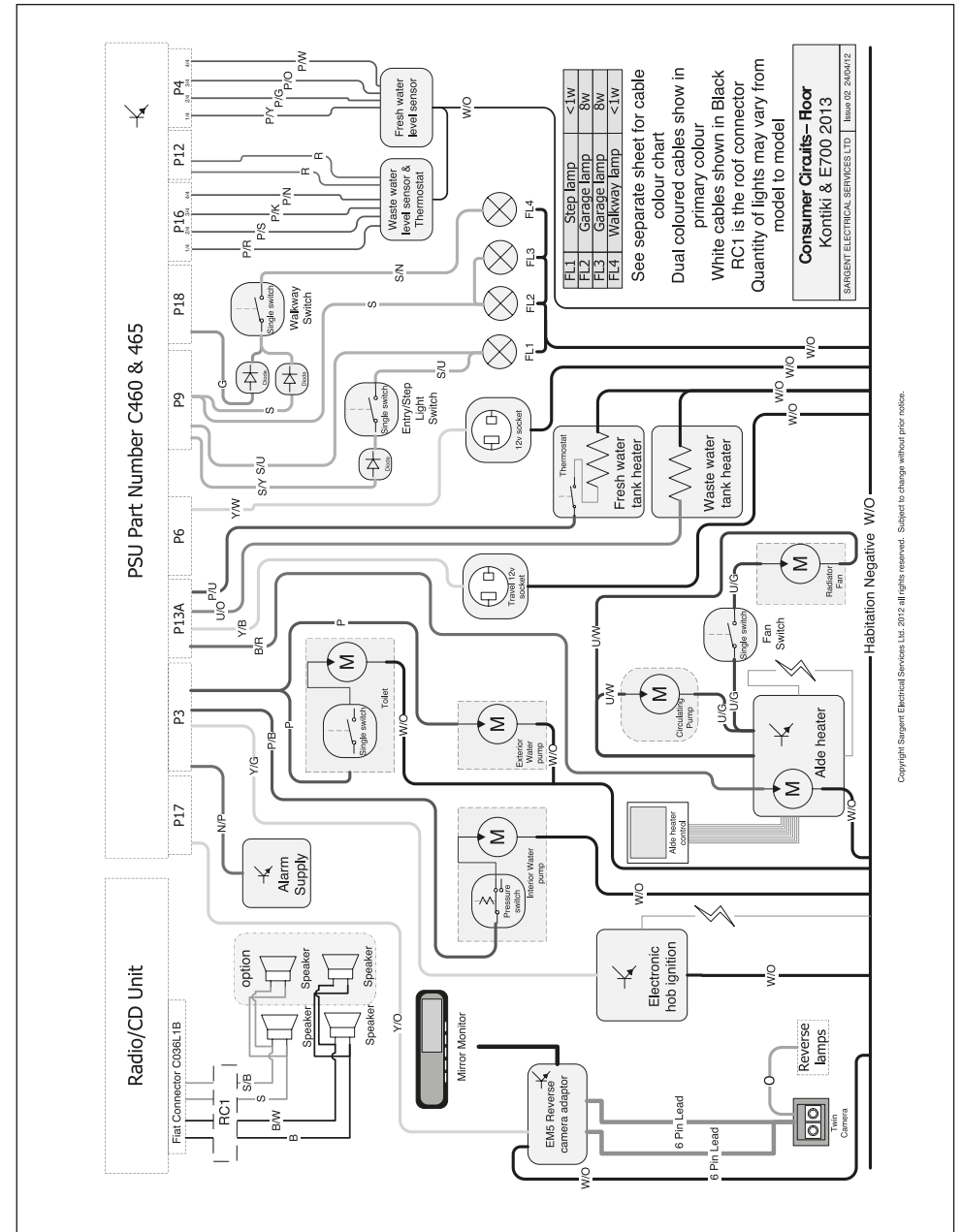


Copyright Sargent Electrical Services Ltd. 2012. All rights reserved. Subject to change without prior notice.

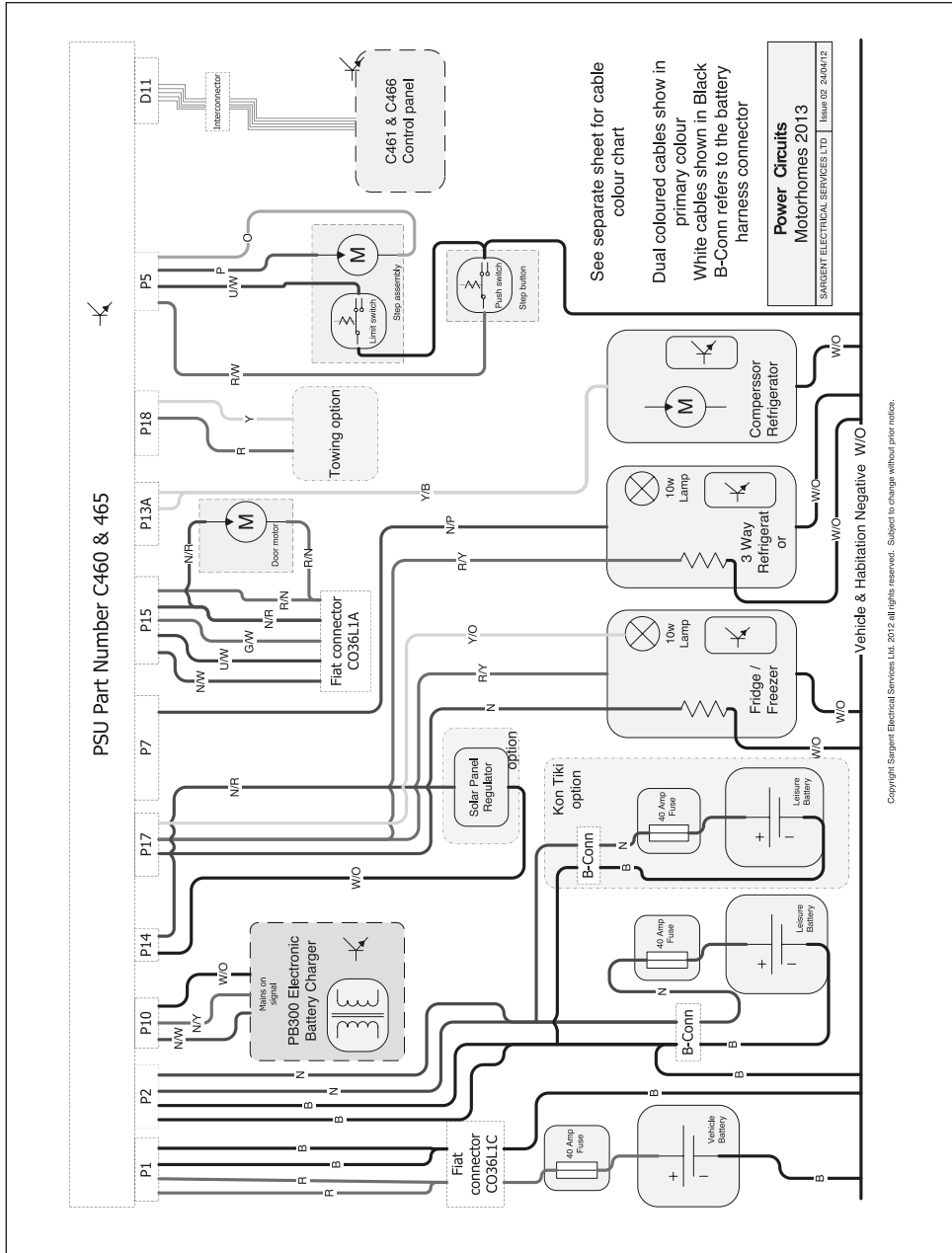
Kon-Tiki - Roof lighting circuits



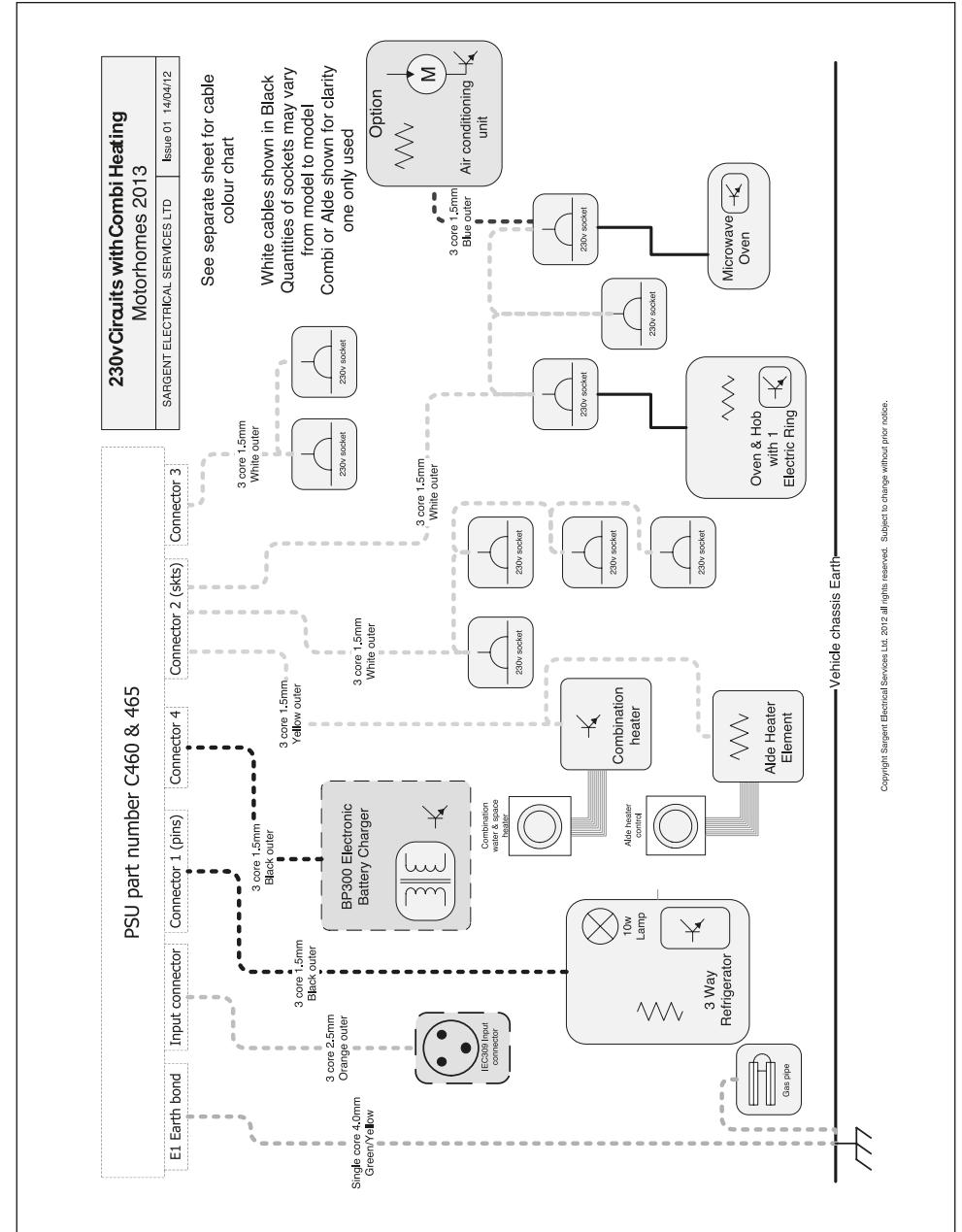
Kon-Tiki - Consumer Circuits - Floor circuits



Kon-Tiki - Power circuits



Kon-Tiki - 230V with Combi Heating




Copyright Sargent Electrical Services Ltd. 2012 all rights reserved. Subject to change without prior notice.

Kon-Tiki - Cable Colour Chart

B	BLACK
N	BROWN
R	RED
O	ORANGE
Y	YELLOW
G	GREEN
U	BLUE
P	PURPLE
S	SLATE GREY
W	WHITE
K	PINK

12v Cable Colours



Y/U

Yellow cable with Blue stripe

Example

B	BLACK
N	BROWN
W	WHITE
O	ORANGE
Y	YELLOW
G	GREEN
U	BLUE

230v Cable Colours

<p style="font-size: 0.8em; margin: 0;">SARGENT ELECTRICAL SERVICES LTD</p> <p style="font-size: 0.8em; margin: 0;">Swift Group 2009</p> <p style="font-size: 0.8em; margin: 0;">Cable Colour Chart</p>	<p style="font-size: 0.8em; margin: 0;">Issue 01 01/09/08</p>
---	---

Copyright Sargent Electrical Services Ltd. 2012 all rights reserved. Subject to change without prior notice.

Road Lights		
Application	Bulb Reference	Bulb Rating
Front marker light	LED complete lamp	12v <1w
Side marker light	W5W	12v 5w
Rear high level marker light	LED complete lamp	12v <1w
High level stop lamp	T5/13.5	12v 2.3w
Rear indicator lamp	PY21 Orange	12v 21w
Rear Tail lamp	LED complete lamp	12v 1.2w
Rear Stop lamp	P21	12v 21w
Rear reverse lamp	P21	12v 21w
Rear fog lamp	P21	12v 21w
Number plate light	C5W	12v 5w
Interior / Other		
Downlighters	FEM0855 Silver	12v LED
Locker spotlights, LED	FEM0854 complete lamp	12v LED
Cooker hood mounted lamps	GU4/MR11 Dichroic bulb	GU4 12v 10w
Over locker fluorescent lamps	300mm Fluorescent bulb	12v 8w
Over locker fluorescent lamps	600mm Fluorescent bulb	12v 13w
Furniture mounted cold cathode fluorescent lamps	530mm complete lamp, front fixed	12v 5w CCFL
Underfloor mounted cold cathode fluorescent lamps	530mm complete lamp, rear fixed	12v 5w CCFL
Garage strip lamps	500mm LED complete unit	12v 2.2w LED
Garage round lamps	21 LED complete unit	12v LED
Ceiling lights, round, triple LED	FEM0858 complete lamp	12v LED
Luton Fluorescent lamps	300mm Fluorescent bulb	12v 8w
B-pillar map reading lamps	Complete lamp on 'swan neck' flexible arm	12v LED
Low level walkway lamps	LED complete lamp	12v LED
Walkway single LED lights	FEM0442 SPLLED illuminator	12v LED
Entrance step lamp	LED complete lamp	12v LED
Wardrobe lamp	Halogen capsule bulb	GU4 12v 5w
Vanity unit strip lights	FEM0927 150mm / FEM0928 300mm LED strip	12v LED
Awning lamp, LED	500mm LED complete unit	12v 2.2w LED

Note: Not all lights feature on all models within a range

KON TIKI ROAD LIGHT BULB ACCESS

REAR LIGHT CLUSTER:

To access the tail lamp, indicator lamp or low level brake lamps, the silver trim panel must first be removed. The trim panel is secured with a combination of plastic Velcro and stud fixings. To remove, apply pressure to the top corner and pull. Working downwards, release all the fixings

Below the trim panel is a black light carrier panel, housing the lamps. Release the three screws located close to the corners of each carrier, and then this too can be pulled directly away from the rear of the vehicle.

To replace the light carrier align the screw holes and replace fixing screws at each corner of carrier.

Align the silver trim piece and push firmly against rear of vehicle to ensure the plastic Velcro is fully engaged.

INDICATOR LAMPS - REPLACING

Bulb access is from rear of lamp.

Remove the trim panel and light carrier as described previously.

At the rear of the lamp, twist the bulb holder relative to the lamp body to release, and withdraw the bulb holder and bulb.

Bulbs are a bayonet fitting – apply slight pressure on bulb towards light fitting, and twist to release.

Re-position the bulb holder into the lamp and twist to lock in place.

Replace the light carrier and trim piece as described above.

REVERSE LAMPS - REPLACING

Bulb access is from rear of lamp.

Remove the trim panel and light carrier as described previously.

At the rear of the lamp, twist the bulb holder relative to the lamp body to release, and withdraw the bulb holder and bulb.

Bulbs are a bayonet fitting – apply slight pressure on bulb towards light fitting, and twist to release.

Re-position the bulb holder into the lamp and twist to lock in place.

Replace the light carrier and trim piece as described above.

TAIL LAMPS - REPLACING

The tail lamp is a LED cluster and has no user serviceable parts inside.

Only replacement of the whole lamp is possible – first remove the Silver trim piece and light carrier as described previously.

Unplug the lamp from the harness, by squeezing the small tab on the side of the connector, and pulling the two halves away from each other.

Remove the reverse lamp as described above.

Remove the three screws securing tail lamp LED ring to the black carrier

Replace lamp ensuring correct screws are used to secure and reverse procedure to re-fit lamp, reverse lamp, light carrier and trim piece.

LOW LEVEL STOP LAMPS

Bulb access is from rear of lamp.

Remove the trim panel and light carrier as described above.

At the rear of the lamp, twist the bulb holder relative to the lamp body to release, and withdraw the bulb holder and bulb.

Bulbs are a bayonet fitting – apply slight pressure on bulb towards light fitting, and twist to release.

Re-position the bulb holder into the lamp and twist to lock in place

Replace the light carrier and trim piece as described above.

REAR FOG LIGHTS

Bulb access is from rear of lamp.

The light fitting can be accessed from underneath the rear of the vehicle.

At the rear of the lamp, twist the bulb holder relative to the lamp body to release, and

withdraw the bulb holder and bulb.

Please note: The visible rubber terminal cover is not fixed to the bulb holder, and it may be easier to grip the bulb holder with this removed.

Bulbs are a bayonet fitting – apply slight pressure on bulb towards light fitting, and twist to release.

Re-position the bulb holder into the lamp and twist to lock in place.

FRONT OR REAR HIGH LEVEL MARKER / POSITION LAMPS (RED / CLEAR LENSE)

These lamps are LED and have no user serviceable parts inside.

Replacements should be undertaken by your dealer, as the lamps are sealed onto the mounting panel.

HIGH LEVEL BRAKE LAMP

This lamp is single piece and has no user serviceable parts inside.

Remove the screw at both ends of lamp, and withdraw whole fitting away from rear panel of motorhome.

Please note : The screws which retain the lamp also retain the reverse camera housing.

Unplug the lamp from the harness, by squeezing the small tab on the side of the connector, and pulling the connector away from the lamp.

Re-connect the new lamp to harness, and secure with the original two screws.

Lamp retaining screws are fixed into a rubber sleeve with a threaded insert, often known as a rawlnut. If lamp has been removed and re-fitted several times the rubber sleeve may need replacing, these are available through your dealer.

NUMBER PLATE LAMPS

Bulb access is from via the front lense of each lamp

Remove the two screws in the lense of the lamp, and remove

Lever the bulb out of retaining clips

Reverse the procedure to re-fit a new bulb and the light lense

SIDE MARKER / POSITION LAMPS

Bulb access is from rear of lamp

If rear of lamp is visible from inside the vehicle:

Depending on the location, a small brown plastic cover may be present covering the connections to the lamp. Remove the screws in the cover to release and access the rear of the lamp.

The harness plugs directly into the bulb holder – twist the bulb holder relative to the lamp body to release, and withdraw the bulb holder and bulb.

Bulbs are push fit into bulb holder – pull bulb directly away from holder to release

Reverse the procedure to replace the bulb in the holder, holder in the lamp and the lamp onto the motorhome body. Replace plastic cover.

If rear of lamp is not visible from inside the vehicle:

Remove the 2 screws from the front of the light fitting, and withdraw the whole fitting from motorhome body.

The harness plugs directly into the bulb holder – twist the bulb holder relative to the lamp body to release, and withdraw the bulb holder and bulb.

Bulbs are push fit into bulb holder – pull bulb directly away from holder to release.

Reverse the procedure to replace the bulb in the holder, holder in the lamp and the lamp onto the motorhome body.

