

# AUTOCRUISE



2011 SPECIFICATION, WIRING DIAGRAMS & BULB CHART

---

Swift Group Ltd, Dunswell Road, Cottingham, East Yorkshire, HU16 4JX  
Tel: 01482 875740 Fax: 01482 840082 Email: enquiry@swiftgroup.co.uk

[www.swiftgroup.co.uk](http://www.swiftgroup.co.uk)

**VAN CONVERSION RANGE**

<b>Specifications - Peugeot .....</b>	<b>1</b>
<b>Specifications - Fiat .....</b>	<b>3</b>
<b>Capacities and towing capability .....</b>	<b>5</b>
<b>Jacking points .....</b>	<b>7</b>
<b>Wiring diagrams .....</b>	<b>8</b>
<b>Bulb chart .....</b>	<b>15</b>
<b>12V fuse identification .....</b>	<b>16</b>

## SPECIFICATIONS - PEUGEOT

TECHNICAL SPECIFICATIONS	Tempo	Rhythm/Mondial RL
Engine Power	120 Hdi	120 Hdi
Engine Capacity	2.2L	2.2L
Chassis	Boxer 335	Boxer 335
Roof Profile	Medium Height Van	Medium Height Van
Wheel base	4.04m/13'3"	4.04m/13'3"
Designated Passenger Seats	2	1
Berths (Sleeping Position)	2	2
Overall Length	6.00m/19'8"	6.00m/19'8"
Overall Body Width	2.05m/6'9"	2.05m/6'9"
Overall Width (Mirrors Folded)	2.26m/7'5"	2.26m/7'5"
Overall Width (Mirrors Extended)	2.51m/8'3"	2.51m/8'3"
Overall Height	2.72m/8'11"	2.72m/8'11"
Maximum Technical Permissible Laden Mass (A)	3500kg	3500kg
Mass in Running Order (B) <sup>†</sup>	2900kg	2865kg
Maximum User Payload (A-B)	600kg	635kg
Unladen Weight	2666kg	2631kg
Essential Habitation Equipment	10kg	10kg
Thermal Insulation Grade	TWO	TWO
BED SIZES		
Front Double	1.88m x 1.88m/6'2" x 6'2"	
Front Nearside Single	1.88m x 0.64m/6'2" x 2'1"	
Front Offside Single	1.88m x 0.75m/6'2" x 2'5"	
Rear Double		1.86m x 1.88m/6'0" x 6'2"
Rear Nearside Single		1.88m x 0.65m/6'2" x 2'2"
Rear Offside Single		1.88m x 0.65m/6'2" x 2'2"
Overcab Bed		

**Note: Weight variations for the Champagne Rhythm and Jazz models**

Mass in Running Order +41kg  
 Maximum User Payload -41kg  
 Unladen Weight +41kg

## SPECIFICATIONS - PEUGEOT

Pace	Accent/Mondial EL	Alto/Mondial FB	Jazz/Mondial EK	
120 Hdi	120 Hdi	120 Hdi	100 Hdi	120 Hdi
2.2L	2.2L	2.2L	2.2L	
Boxer 335	Boxer 335	Boxer 335	Boxer 330	
Medium Height Van	Medium Height Van	Medium Height Van	Medium Height Van	
4.04m/13'3"	4.04m/13'3"	4.04m/13'3"	3.45m/11'4"	
3	3	3	3	
3	3	3	2	
6.00m/19'8"	6.00m/19'8"	6.00m/19'8"	5.41m/17'9"	
2.05m/6'9"	2.05m/6'9"	2.05m/6'9"	2.05m/6'9"	
2.26m/7'5"	2.26m/7'5"	2.26m/7'5"	2.26m/7'5"	
2.51m/8'3"	2.51m/8'3"	2.51m/8'3"	2.51m/8'3"	
2.72m/8'11"	2.72m/8'11"	2.72m/8'11"	2.72m/8'11"	
3500kg	3500kg	3500kg	3300kg	
2975kg	2987kg	2906kg	2856kg	2871kg
525kg	513kg	594kg	444kg	429kg
2741kg	2753kg	2672kg	2622kg	2637kg
10kg	10kg	10kg	10kg	
TWO	TWO	TWO	TWO	
			1.90m x 1.18m/6'3" x 3'10"	
1.70m x 0.90m/5'8" x 2'11"/1'9"	1.70m x 0.90m/5'8" x 2'11"/1'9"	1.70m x 0.90m/5'8" x 2'11"/1'9"		
1.83m x 1.35m/6'0" x 4'5"	1.83m x 1.35m/6'0" x 4'5"	1.88m x 1.20m/6'2" x 3'11"		

<sup>†</sup>The Mass in Running Order is the mass of the unladen vehicle including a 75kg allowance for the driver plus engine coolants and 90% of the fuel tank, water and gas capacity.

## SPECIFICATIONS - FIAT

TECHNICAL SPECIFICATIONS	Tempo		Rhythm/Mondial RL	
	Engine Power	120 MJ	160 MJ Auto	120 MJ
Engine Capacity	2.3L	3L	2.3L	3L
Chassis	Ducato 35L		Ducato 35L	
Roof Profile	Medium Height Van		Medium Height Van	
Wheel base	4.04m/13'3"		4.04m/13'3"	
Designated Passenger Seats	2		1	
Berths (Sleeping Position)	2		2	
Overall Length	6.00m/19'8"		6.00m/19'8"	
Overall Body Width	2.05m/6'9"		2.05m/6'9"	
Overall Width (Mirrors Folded)	2.26m/7'5"		2.26m/7'5"	
Overall Width (Mirrors Extended)	2.51m/8'3"		2.51m/8'3"	
Overall Height	2.55m/8'5"		2.55m/8'5"	
Maximum Technical Permissible Laden Mass (A)	3500kg		3500kg	
Mass in Running Order (B)†	2900kg	2967kg	2865kg	2932kg
Maximum User Payload (A-B)	600kg	533kg	635kg	568kg
Unladen Weight	2666kg	2733kg	2631kg	2698kg
Essential Habitation Equipment	10kg		10kg	
Thermal Insulation Grade	TWO		TWO	
BED SIZES				
Front Double	1.88m x 1.88m/6'2" x 6'2"			
Front Nearside Single	1.88m x 0.64m/6'2" x 2'1"			
Front Offside Single	1.88m x 0.75m/6'2" x 2'5"			
Rear Double			1.88m x 1.88m/6'2" x 6'2"	
Rear Nearside Single			1.88m x 0.65m/6'2" x 2'2"	
Rear Offside Single			1.88m x 0.65m/6'2" x 2'2"	
Overcab Bed				

†The Mass in Running Order is the mass of the unladen vehicle including a 75kg allowance for the driver plus engine coolants and 90% of the fuel tank, water and gas capacity.

## SPECIFICATIONS - FIAT

Pace		Accent/Mondial EL		Alto/Mondial FB		Jazz/Mondial EK		
120 MJ	160 MJ Auto	120 MJ	160 MJ Auto	120 MJ	160 MJ Auto	100 MJ	120 MJ	160 MJ Auto
2.3L	3L	2.3L	3L	2.3L	3L	2.2L	2.3L	3L
Ducato 35L		Ducato 35L		Ducato 35L		Ducato 33L		
Medium Height Van		Medium Height Van		Medium Height Van		Medium Height Van		
4.04m/13'3"		4.04m/13'3"		4.04m/13'3"		3.45m/11'4"		
3		3		3		3		
3		3		3		2		
6.00m/19'8"		6.00m/19'8"		6.00m/19'8"		5.41m/17'9"		
2.05m/6'9"		2.05m/6'9"		2.05m/6'9"		2.05m/6'9"		
2.26m/7'5"		2.26m/7'5"		2.26m/7'5"		2.26m/7'5"		
2.51m/8'3"		2.51m/8'3"		2.51m/8'3"		2.51m/8'3"		
2.55m/8'5"		2.55m/8'5"		2.55m/8'5"		2.55m/8'5"		
3500kg		3500kg		3500kg		3300kg		
2975kg	3042kg	2987kg	3054kg	2906kg	2973kg	2856kg	2871kg	2923kg
525kg	458kg	513kg	446kg	594kg	527kg	444kg	429kg	377kg
2741kg	2808kg	2753kg	2820kg	2672kg	2739kg	2622kg	2637kg	2689kg
10kg		10kg		10kg		10kg		
TWO		TWO		TWO		TWO		
						1.90m x 1.18m/6'3" x 3'10"		
1.70m x 0.90m/0.54m/5'8" x 2'11"/1'9"		1.70m x 0.90m/0.54m/5'8" x 2'11"/1'9"		1.70m x 0.90m/0.54m/5'8" x 2'11"/1'9"				
1.88m x 1.35m/6'2" x 4'5"		1.88m x 1.35m/6'2" x 4'5"		1.88m x 1.20m/6'2" x 3'11"				

## CAPACITIES AND TOWING CAPABILITY

TANK SPECIFICATIONS	Tempo	Rhythm/Mondial RL	Pace
Fresh Water Tank	66L	66L	66L
Waste Water Tank	73L	73L	73L
Water Heater	10L	10L	10L
Gas Locker Capacity	2x7kg	1x13kg	1x13kg

**Notice**

For technical data on the base vehicle please refer to manufacturer's handbook

TOWING CAPABILITIES	Tempo	Rhythm/Mondial RL	Pace
Engine	120bhp/157bhp	120bhp/157bhp	120bhp/157bhp
MTPLM	3500kg	3500kg	3500kg
Permissible Front Axle Load	1850kg	1850kg	1850kg
Permissible Rear Axle Load	2000kg	2000kg	2000kg
Recommended Maximum Trailer Weight	2500kg	2500kg	2500kg
Gross Train Weight	6000kg	6000kg	6000kg

Accent/Mondial EL	Alto/Mondial FB	Jazz/Mondial EK
66L	66L	66L
73L	73L	73L
10L	10L	10L
2x7kg	1x13kg	1x13kg

Accent/Mondial EL	Alto/Mondial FB	Jazz/Mondial EK		
120bhp/157bhp	120bhp/157bhp	100bhp	120bhp	157bhp
3500kg	3500kg	3300kg	3300kg	3300kg
1850kg	1850kg	1750kg	1750kg	1750kg
2000kg	2000kg	1900kg	1900kg	1900kg
2500kg	2500kg	2000kg	2000kg	2500kg
6000kg	6000kg	5300kg	5300kg	5800kg

To ensure adequate road holding, the load on the front axle, under all conditions, must not be less than 40% or more than 70% of the total weight.

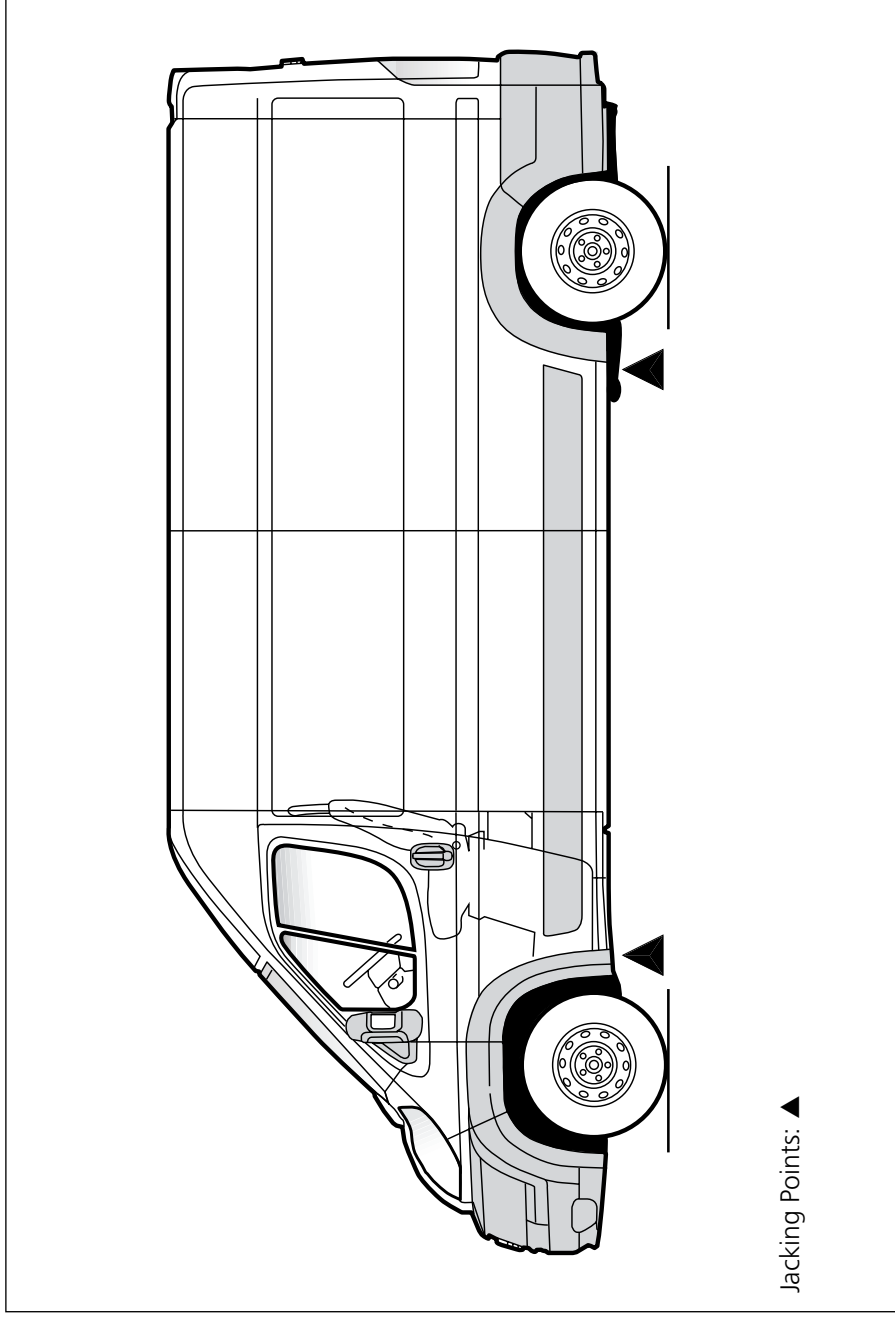
Care must be taken when distributing loads. The loadings above are maximum loadings and must not be exceeded under any circumstances.

For spare wheel removal please refer to Peugeot handbook.

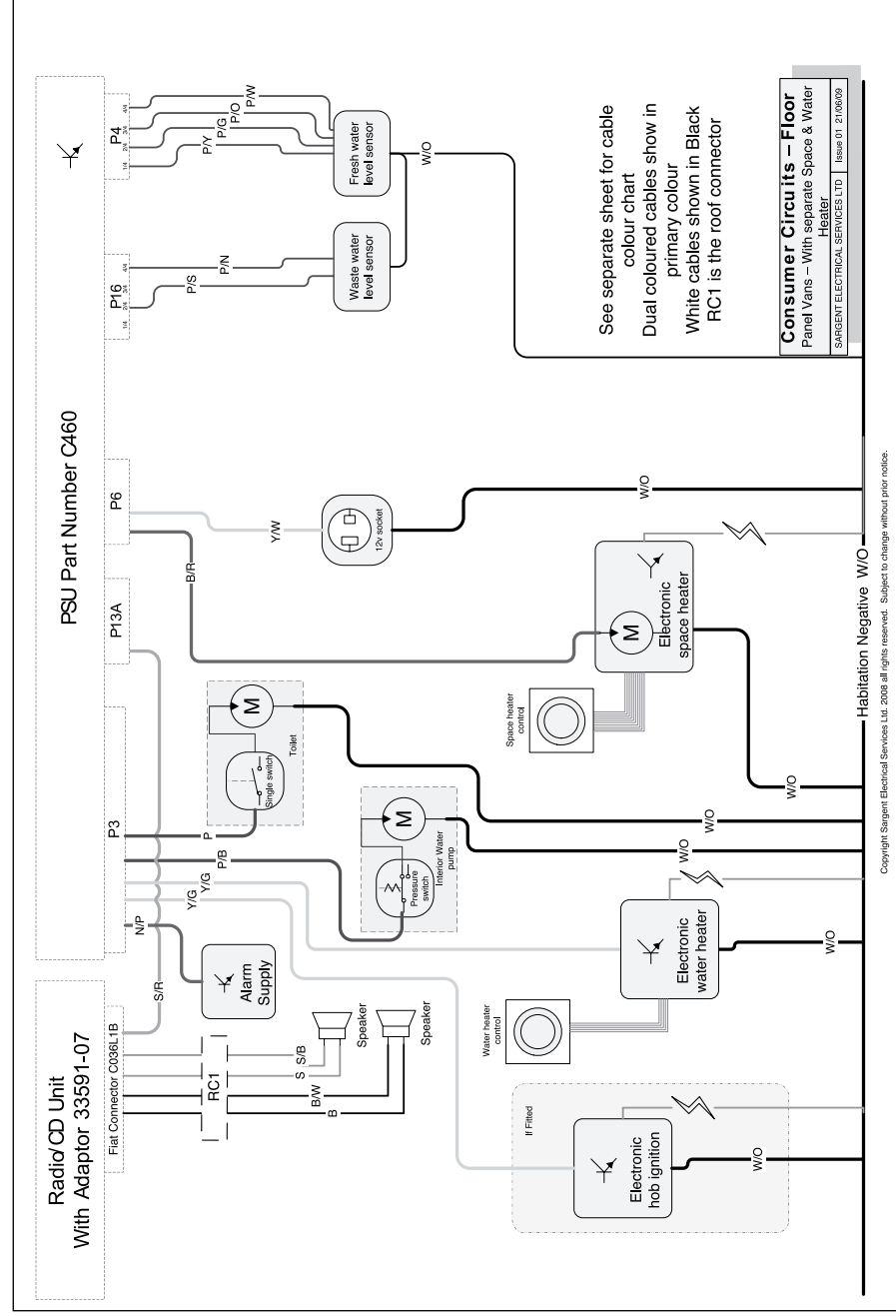
**CAUTION:**

When fitting a towbar, it must meet certain minimum requirements as specified by Type Approval Regulations. The bar will have marked on it the approval standard (94/20/EC) and the maximum download, or noseweight, that it can accept. It must fit the manufacturer's approved mounting points and must not obscure the towing vehicle's number plate.

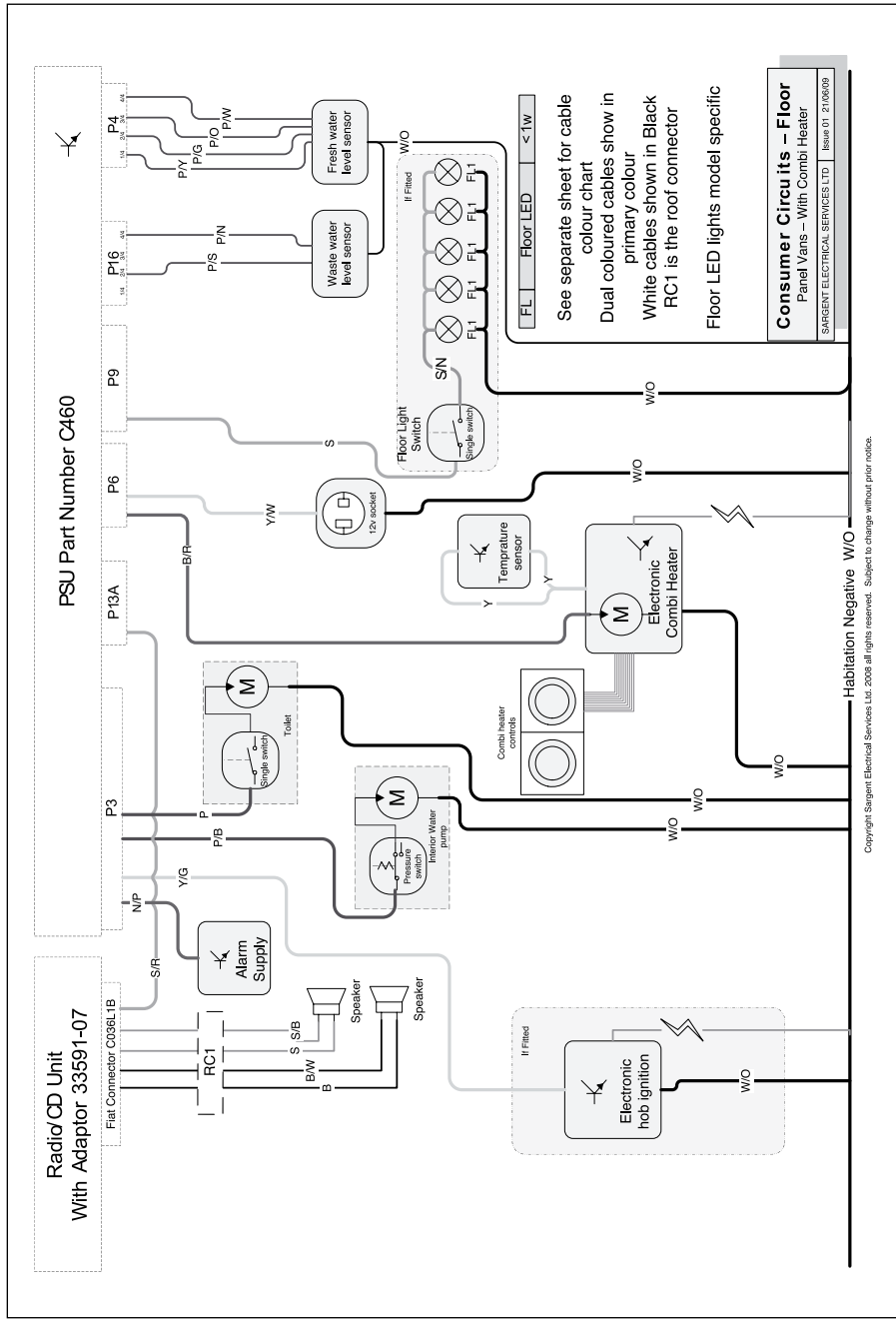
JACKING POINTS



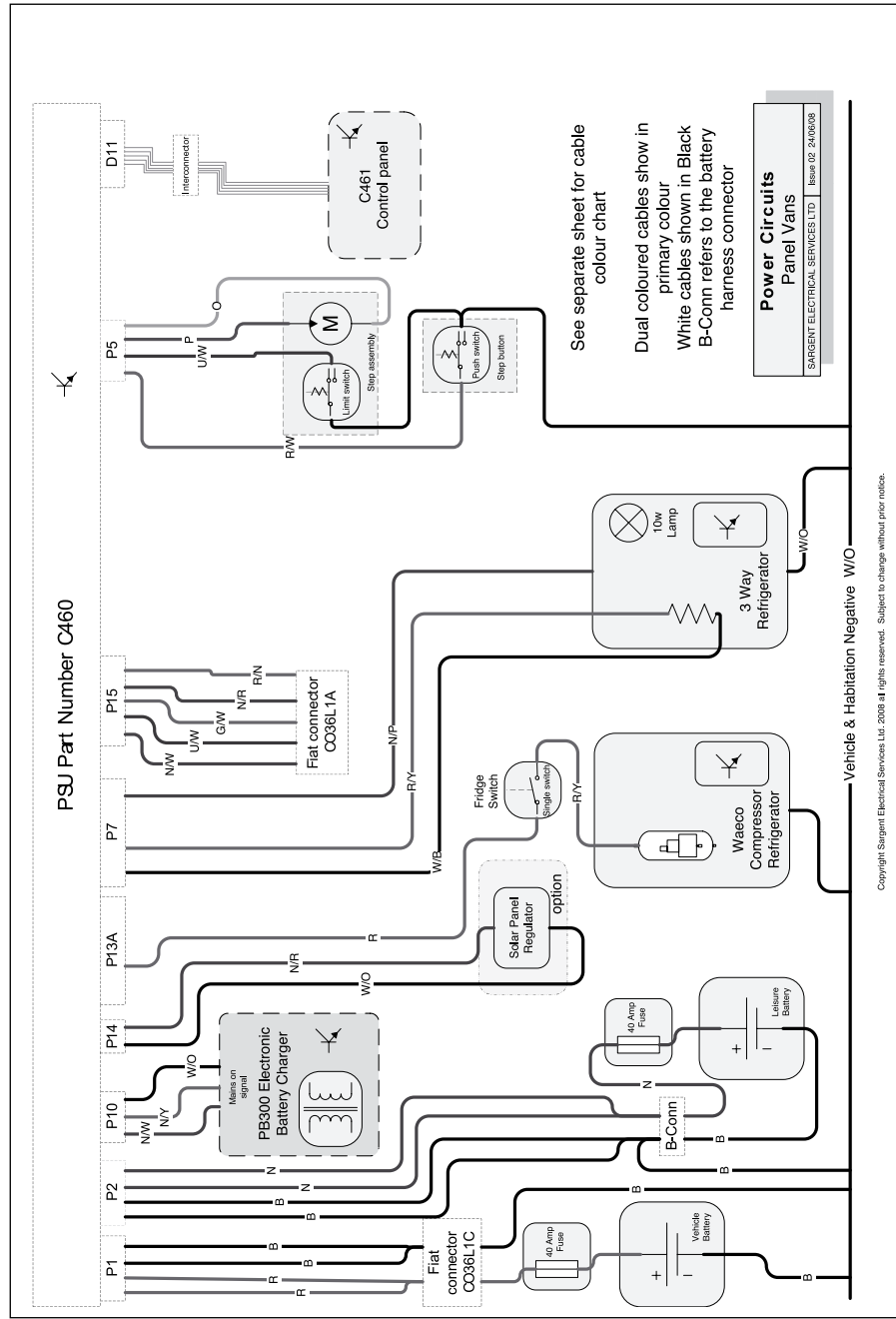
CONSUMER FLOOR CIRCUITS WITH SEPARATE SPACE AND WATER HEATER



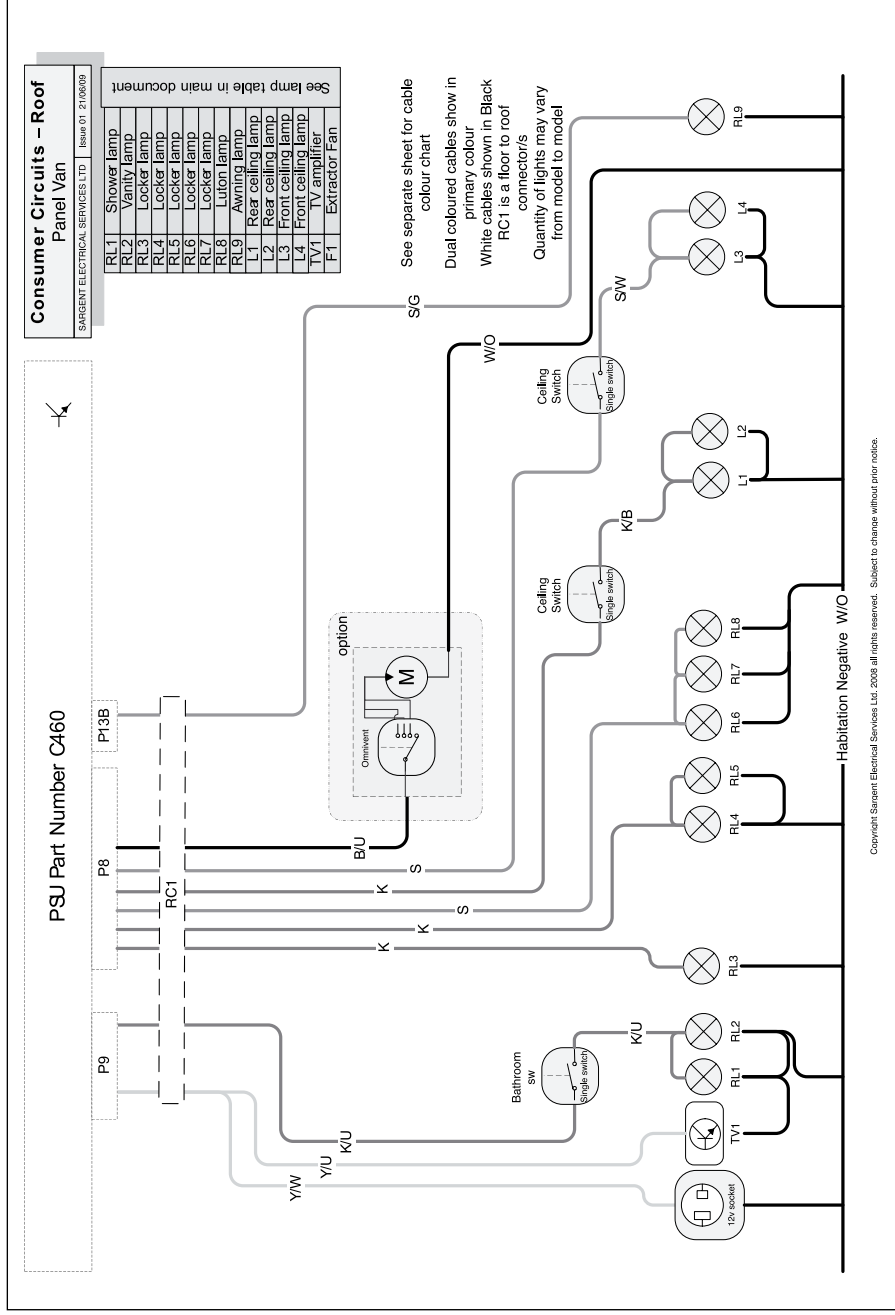
CONSUMER CIRCUITS FLOOR WITH COMBI HEATER



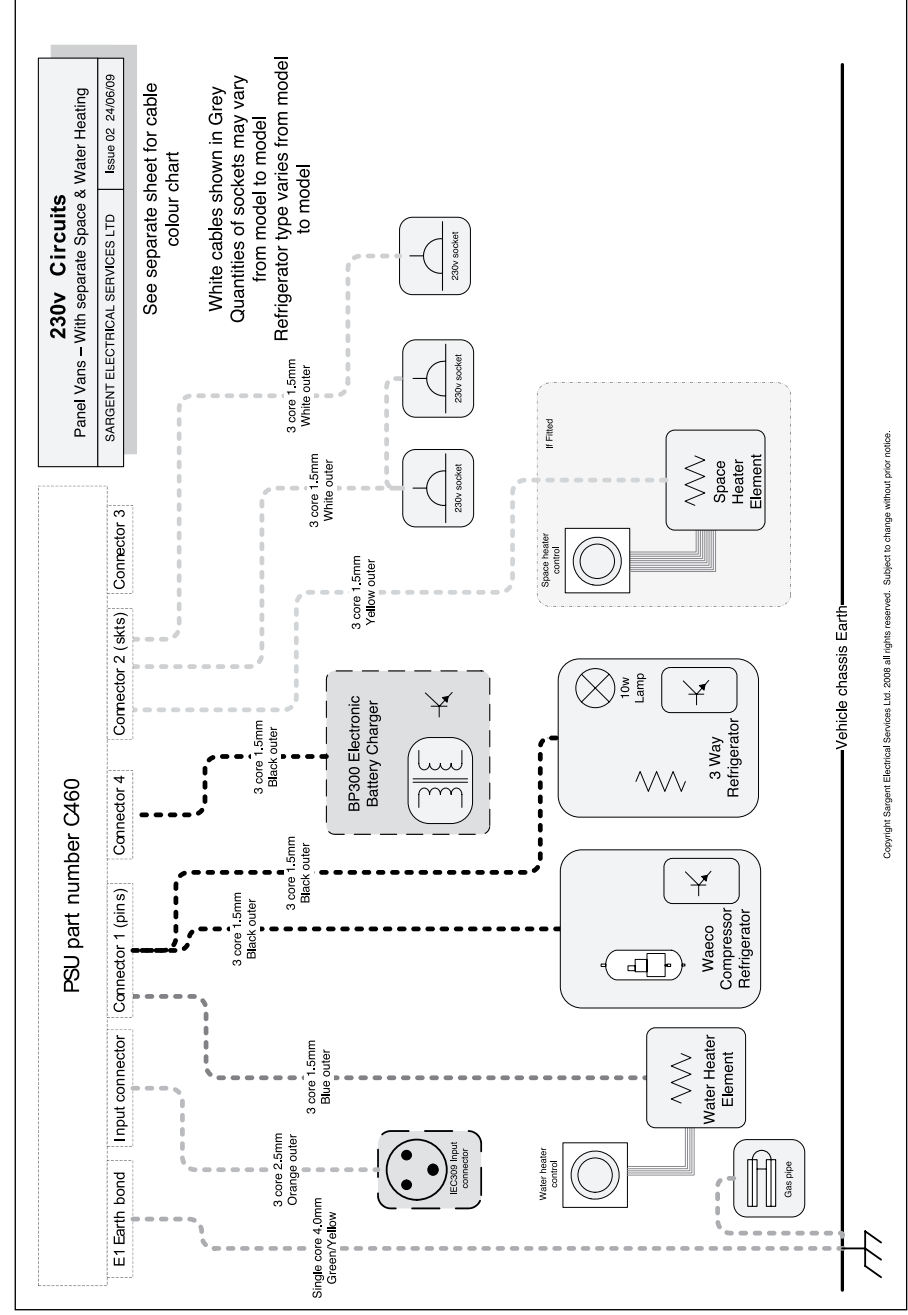
POWER CIRCUITS



CONSUMER CIRCUITS ROOF

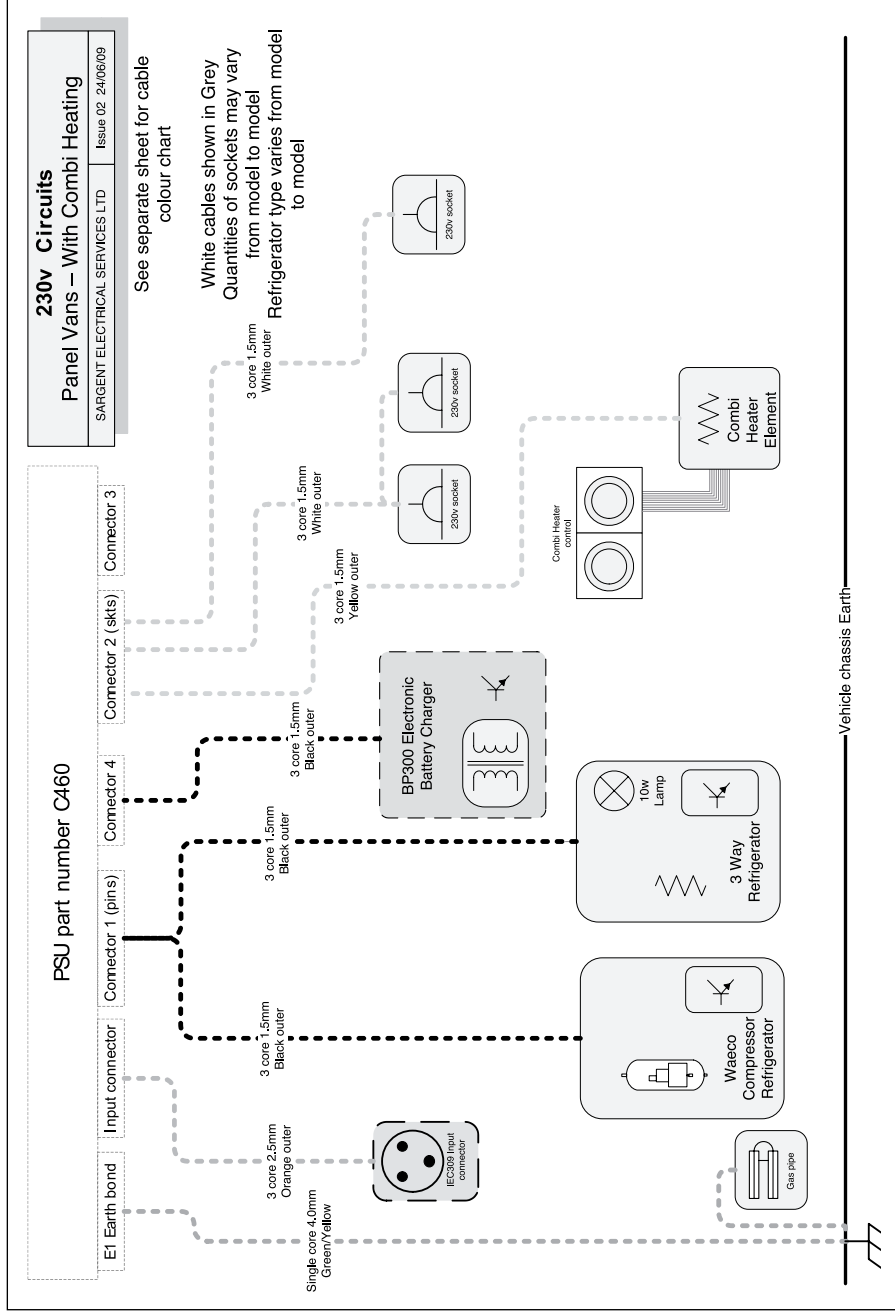


230V CIRCUITS WITH SEPARATE SPACE AND WATER HEATER





230V CIRCUITS WITH COMBI BOILER



CABLE COLOUR CHART

**Y/U** Example  
Yellow cable with Blue stripe

**Cable Colour Chart**  
Swift Group 2009  
SARGENT ELECTRICAL SERVICES LTD Issue 01 01/09/08

**12v Cable Colours**

B	BLACK
N	BROWN
R	RED
O	ORANGE
Y	YELLOW
G	GREEN
U	BLUE
P	PURPLE
S	SLATE GREY
W	WHITE
K	PINK

**230v Cable Colours**

B	BLACK
N	BROWN
W	WHITE
O	ORANGE
Y	YELLOW
G	GREEN
U	BLUE

Copyright Sargent Electrical Services Ltd. 2008 all rights reserved. Subject to change without prior notice.

## BULB CHART

## ROAD LIGHTS

See Fiat manual

## INTERIOR LIGHTS

## BULB REFERENCE

## BULB RATING

INTERIOR LIGHTS	BULB REFERENCE	BULB RATING
Downlights	LED complete lamp (FEM0441)	12V < 1W
Ceiling lights	LED complete lamp	12V < 1W
Spot lamps	LED complete lamp (FEM0440)	12V < 1W
Step lamps	LED complete lamp (FELF115)	12V < 1W
China locker lamp	530mm complete lamp, front fixed	12V 5W CCFL
Awning lamp	LED complete lamp	12V 2.2W

**NOTE:** Not all lights feature on all models within a range

## BULB REPLACEMENT

### Road Lighting, Panel van rear light cluster access

#### Road lighting, front of vehicle

Please see the information contained within the Fiat handbook for details of access to headlight or side repeater bulbs.

#### Rear road light clusters

Bulb access is from the rear of the cluster. Please see the Fiat handbook for specific details of the clusters and individual lights contained within them.

The rear road light clusters are secured to the rear of the motorhome via nuts located on the rear of the cluster. To access these fixing nuts, an internal panel must be removed.

Two angled panels can be found at the rear of the motorhome, close to the rear door hinges. In the upper sections of these panels, a removable section exists (the removable panel may also house remote thermostats, light switches etc).

To remove the panel, first locate two screw cover caps at the top and bottom of the panel, using a flat bladed screwdriver or similar. Removing the screws will then allow the panel to be pulled away from the corner of the vehicle, exposing a void with access to the rear of the lamp clusters.

Reverse the procedure and push fit the screw cover caps back into place once complete.