



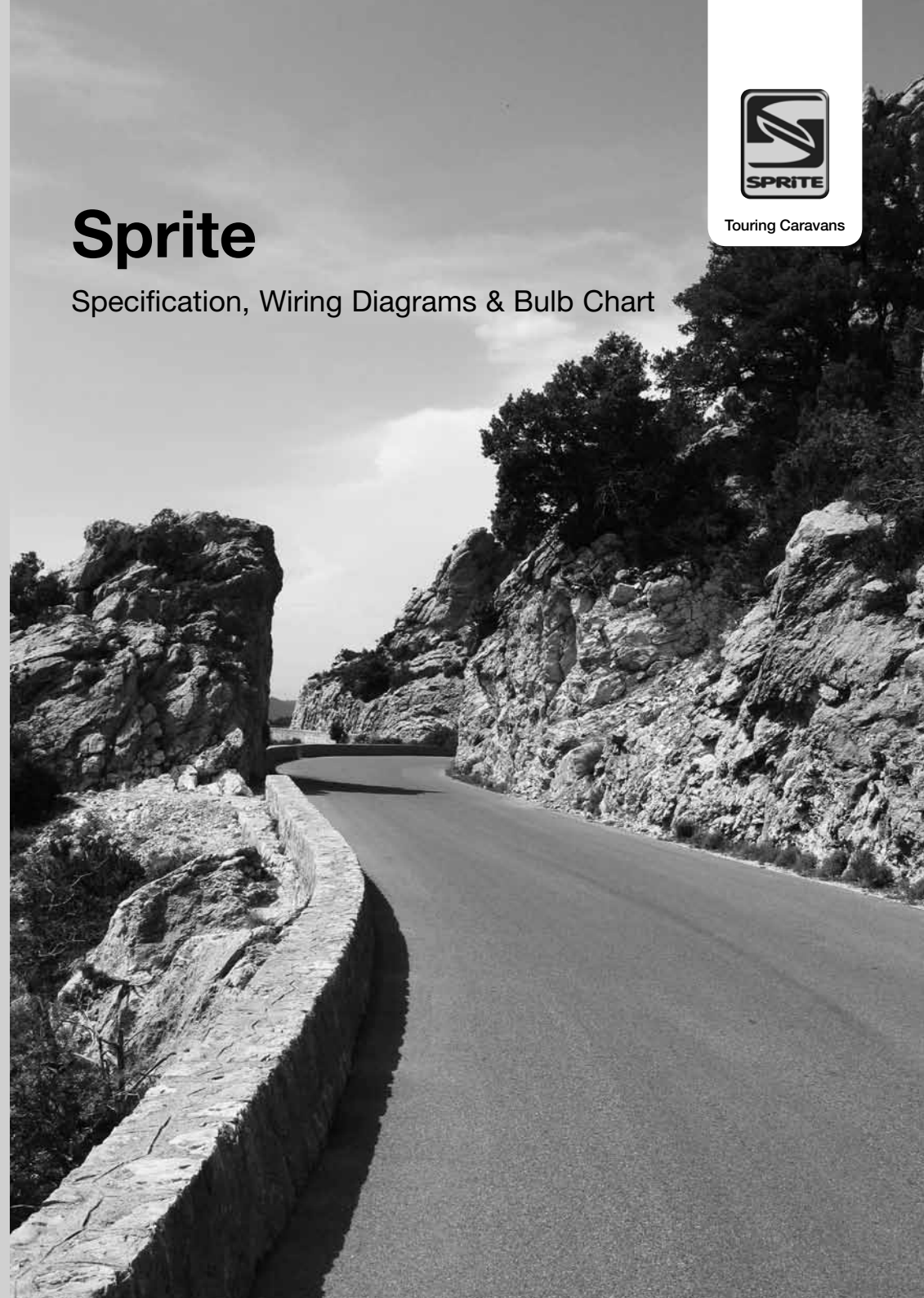
Touring Caravans



Touring Caravans

Sprite

Specification, Wiring Diagrams & Bulb Chart



SWIFT GROUP

Dunswell Road, Cottingham, East Yorkshire, HU16 4JX.

Tel: 01482 875740 Fax: 01482 840082

email: enquiry@swiftgroup.co.uk

website: www.swiftgroup.co.uk

A MEMBER OF THE SWIFT GROUP

1095636 issued October 2011

Contents

Specification.....	3
Wiring Diagrams - Road Lighting.....	5
Wiring Diagrams - Floor Circuits.....	6
Wiring Diagrams - Roof Circuits	7
Wiring Diagrams - Power Circuits.....	8
Wiring Diagrams - 230V Circuits.....	9
Wiring Diagrams - 13 pin Socket.....	10
Wiring Diagrams - Cable Colour Chart	11
Bulb Chart	12
Bulb Replacement.....	13

Specification

Sprite	Alpine 2	Alpine 4	Musketeer TD
Berths	2	4	5
Axles	1	1	1
Internal Length (bed box height)	4.34m/14'3"	4.74m/15'7"	4.74m/15'7"
Overall Width**	2.23m/7'4"	2.23m/7'4"	2.23m/7'4"
Overall Height (inc. TV Aerial)**	2.64m/8'8"	2.64m/8'8"	2.64m/8'8"
Maximum Internal Headroom	1.95m/6'5"	1.95m/6'5"	1.95m/6'5"
Overall Length**	5.99m/19'8"	6.39m/21'0"	6.39m/21'0"
Awning A/A dimension	8.73m/28'8"	9.14m/30'0"	9.14m/30'0"
Mass in Running Order (inc. tolerance)	1013kg/19.9cwt	1047kg/20.6cwt	1079kg/21.2cwt
Maximum Technical Permissible Laden Mass (Lower limit)	1164kg/22.9cwt	1222kg/24.1cwt	1264kg/24.9cwt
Maximum Technical Permissible Laden Mass (Upper limit)	1200kg/23.6cwt	1250kg/24.6cwt	1300kg/25.6cwt
Total user Payload	151kg/3.0cwt	175kg/3.4cwt	185kg/3.6cwt
Personal Effects	121kg/2.4cwt	145kg/2.9cwt	155kg/3.1cwt
Options	30kg/0.6cwt	30kg/0.6cwt	30kg/0.6cwt
Tyre Size	175 R14C 99Q	175 R14C 99Q	175 R14C 99Q
Tyre pressure at Lower limit MTPLM	52 psi / 3.6 bar	55 psi / 3.8 bar	58 psi / 4.0 bar
Tyre pressure at Upper limit MTPLM	54 psi / 3.7 bar	57 psi / 3.9 bar	59 psi / 4.1 bar
Static Load on Coupling Head	100kg	100kg	100kg
Thermal Insulation Grade	THREE	THREE	THREE
Bed Sizes			
Front Double	208cm x 180cm/6'10" x 5'11"	208cm x 134cm/6'10" x 4'5"	208cm x 134cm/6'10" x 4'5"
or Front Nearside Single	190cm x 72cm/6'3" x 2'4"		
and Front Offside Single	180cm x 72cm/5'11" x 2'4"		
Rear Double		189cm x 132cm/6'2" x 4'4"	192cm x 132/120cm/ 6'4" x 4'4"/3'11"
Rear Bunk			
Rear Single			
Side Single (offside)			
Side Single (nearside)			192cm x 68cm/6'4" x 2'3"
Side Bunk (offside)			
Side Bunk (nearside)			180cm x 59cm/5'11" x 1'11"
Rear Fixed Lower Bunk			
Rear Fixed Mid Bunk			
Rear Fixed Upper Bunk			
Side Fixed Lower Bunk			
Side Fixed Mid Bunk			
Side Fixed Upper Bunk			

Weights: From the 2011 season the method of calculating the Mass in Running Order (MRO) and user payload figures has changed in order to bring it in line with European Vehicle Directives.

Allowances for essential equipment (e.g. gas cylinders) previously allowed for in the user payload are now contained within the MRO. A provision for a leisure battery which used to be within the essential

equipment payload has now been included within the personal effects payload allowance.

Although the method of calculation has changed, the overall effect is that the amount of payload available to the customer has remained the same, it is just calculated in a different manner

Bed Sizes : Please note that the front double bed sizes quoted are for seating configurations without chest of drawers. The front double bed width for a layout with a chest of drawers fitted will be reduced by 0.4m(1'4") from that stated.

Musketeer EB	Major 4	Major 6	Quattro FB
4	4	6	6
1	1	1	2
4.74m/15'7"	5.29m/17'4"	5.60m/18'4"	6.27m/20'7"
2.23m/7'4"	2.23m/7'4"	2.23m/7'4"	2.23m/7'4"
2.64m/8'8"	2.65m/8'8"	2.65m/8'8"	2.62m/8'7"
1.95m/6'5"	1.95m/6'5"	1.95m/6'5"	1.95m/6'5"
6.39m/21'0"	6.93m/22'9"	7.25m/23'9"	7.92m/26'0"
9.14m/30'0"	9.68m/31'9"	9.99m/32'9"	10.66m/35'0"
1093kg/21.5cwt	1147kg/22.6cwt	1234kg/24.3cwt	1361kg/26.8cwt
1268kg/25.0cwt	1327kg/26.1cwt	1437kg/28.3cwt	1571kg/30.9cwt
1300kg/25.6cwt	1350kg/26.6cwt	1500kg/29.5cwt	1600kg/31.5cwt
175kg/3.4cwt	180kg/3.5cwt	203kg/4.0cwt	210kg/4.1cwt
145kg/2.9cwt	150kg/3.0cwt	173kg/3.4cwt	180kg/3.5cwt
30kg/0.6cwt	30kg/0.6cwt	30kg/0.6cwt	30kg/0.6cwt
175 R14C 99Q	175 R14C 99Q	185 R14 102Q	175/65 R14 86T
58 psi / 4.0 bar	61 psi / 4.2 bar	61 psi / 4.2 bar	33 psi / 2.3 bar
59 psi / 4.1 bar	62 psi / 4.3 bar	64 psi / 4.4 bar	33 psi / 2.3 bar
100kg	100kg	100kg	100kg
THREE	THREE	THREE	THREE
208cm x 180cm/6'10" x 5'11"	208cm x 142cm/6'10" x 4'8"	208cm x 170cm/6'10" x 5'7"	208cm x 180cm/6'10" x 5'11"
190cm x 72cm/6'3" x 2'4"			180cm x 72cm/5'11" x 2'4"
180cm x 72cm/5'11" x 2'4"			190cm x 72cm/6'3" x 2'4"
	194cm x 132cm/6'4" x 4'4"		192cm x 132cm/6'4" x 4'4"
189cm x 59cm/6'2" x 1'11"			
208cm x 70cm/6'10" x 2'4"			
		180cm x 83cm/5'11" x 2'9"	180cm x 62cm/5'11" x 2'0"
		176cm x 59cm/5'9" x 1'11"	176cm x 59cm/5'9" x 1'11"
		183cm x 57cm/6'0" x 1'10"	
		183cm x 57cm/6'0" x 1'10"	

Awning sizes: Due to varying awning designs and sizes the awning sizes given are approximate only. Specific awning sizes must be confirmed by your dealer or awning manufacturer prior to purchase.

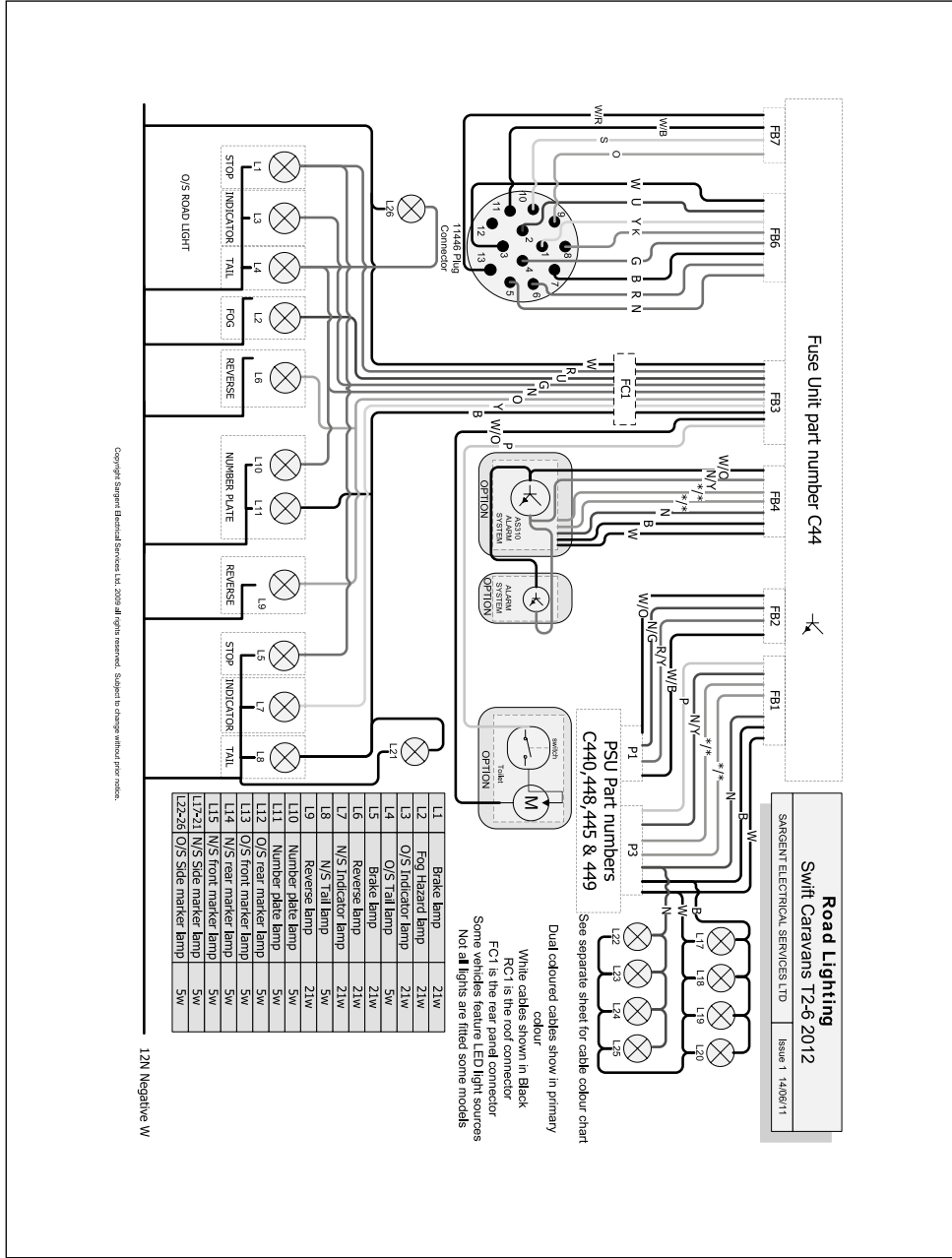
** The dimensions given are approximate due to slight variations in suspension ride heights, loading conditions and tyre pressures.

Customers should verify the actual dimensions of their touring caravan before committing to anything that could be impacted by these dimensions

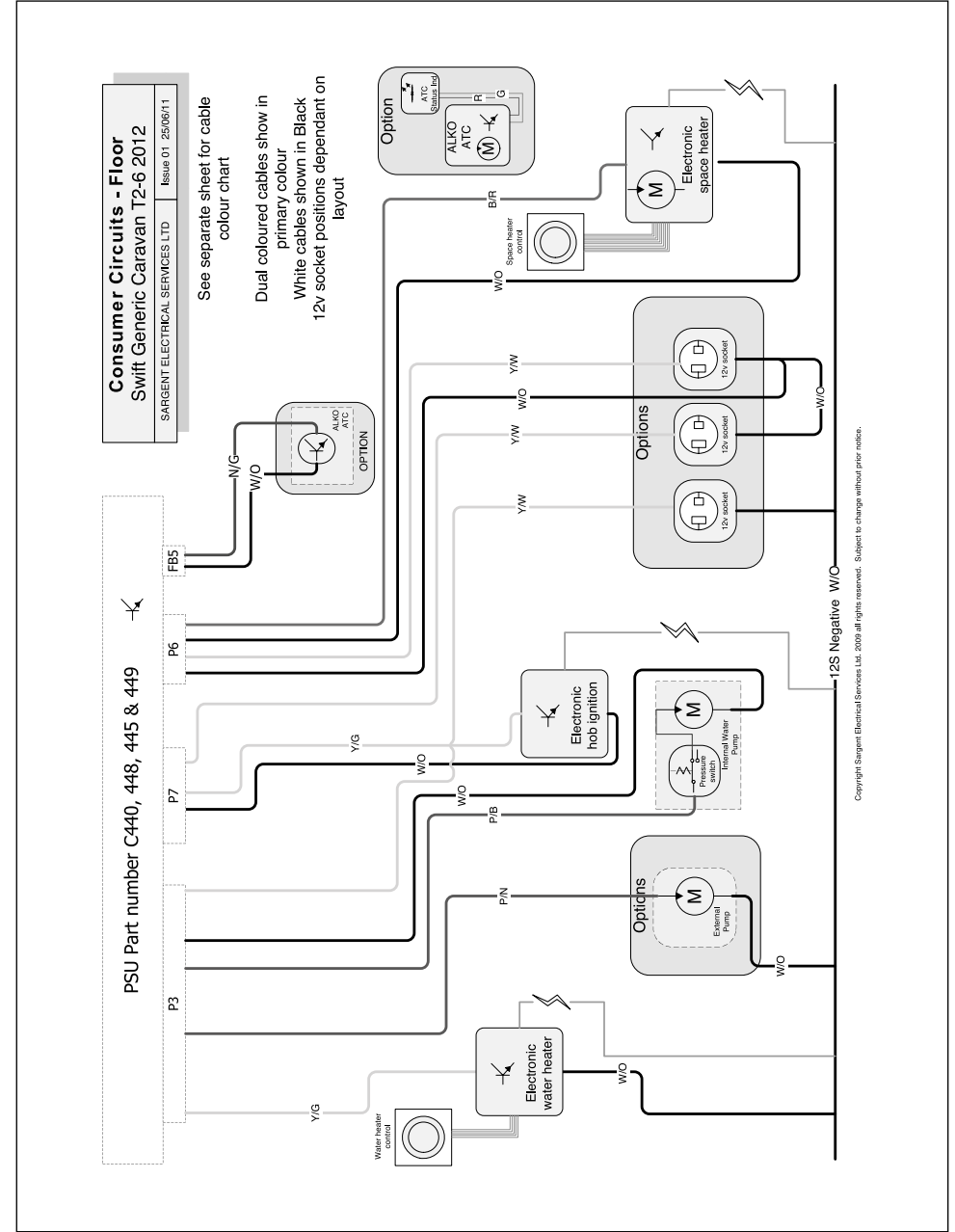
Please note: Any dealer fit options will reduce the overall payload available to the user of the caravan.

If you require additional payload it is possible to upgrade the MTPLM to the upper limit. Please contact your Sprite caravan dealer for more information.

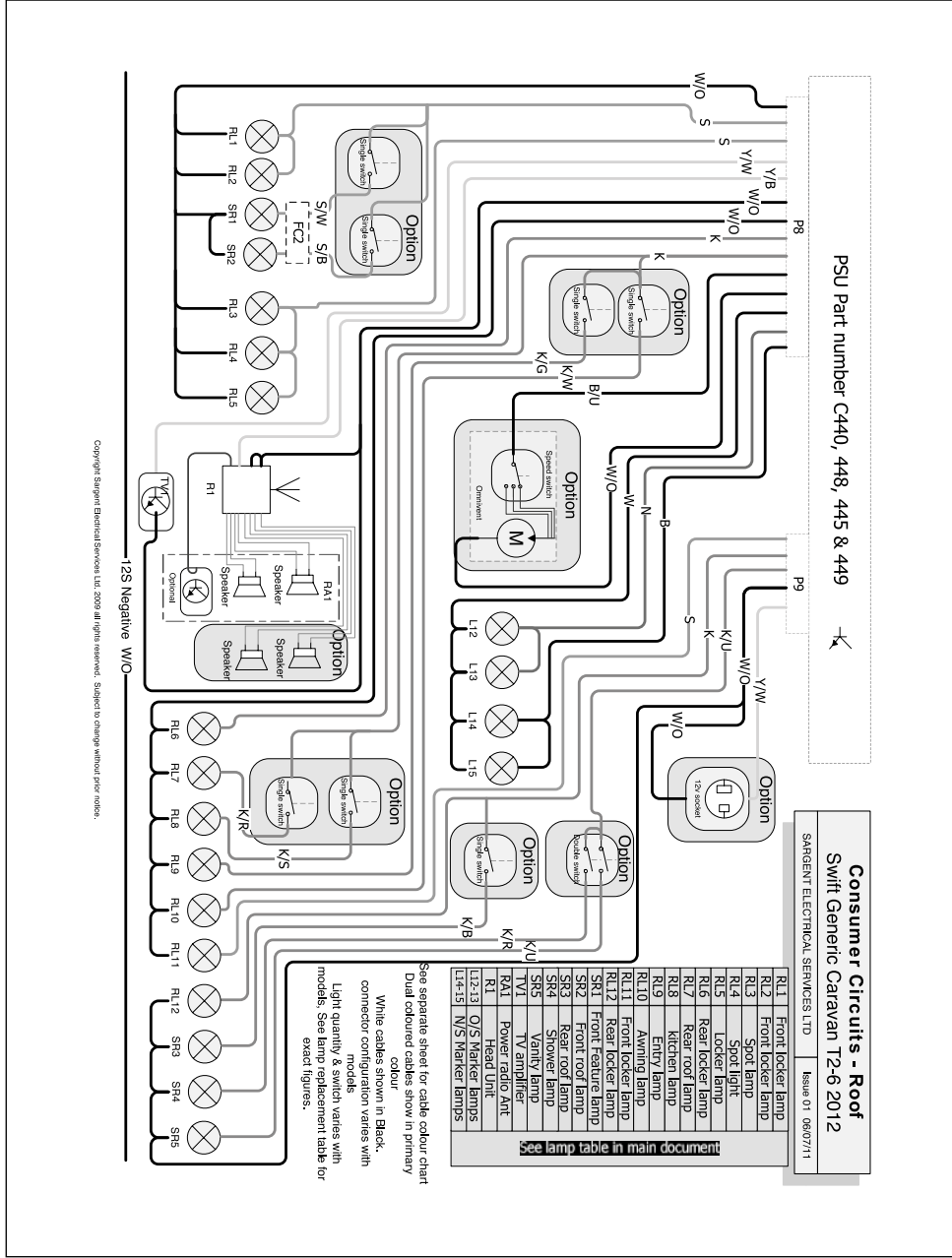
Sprite range - Road lighting



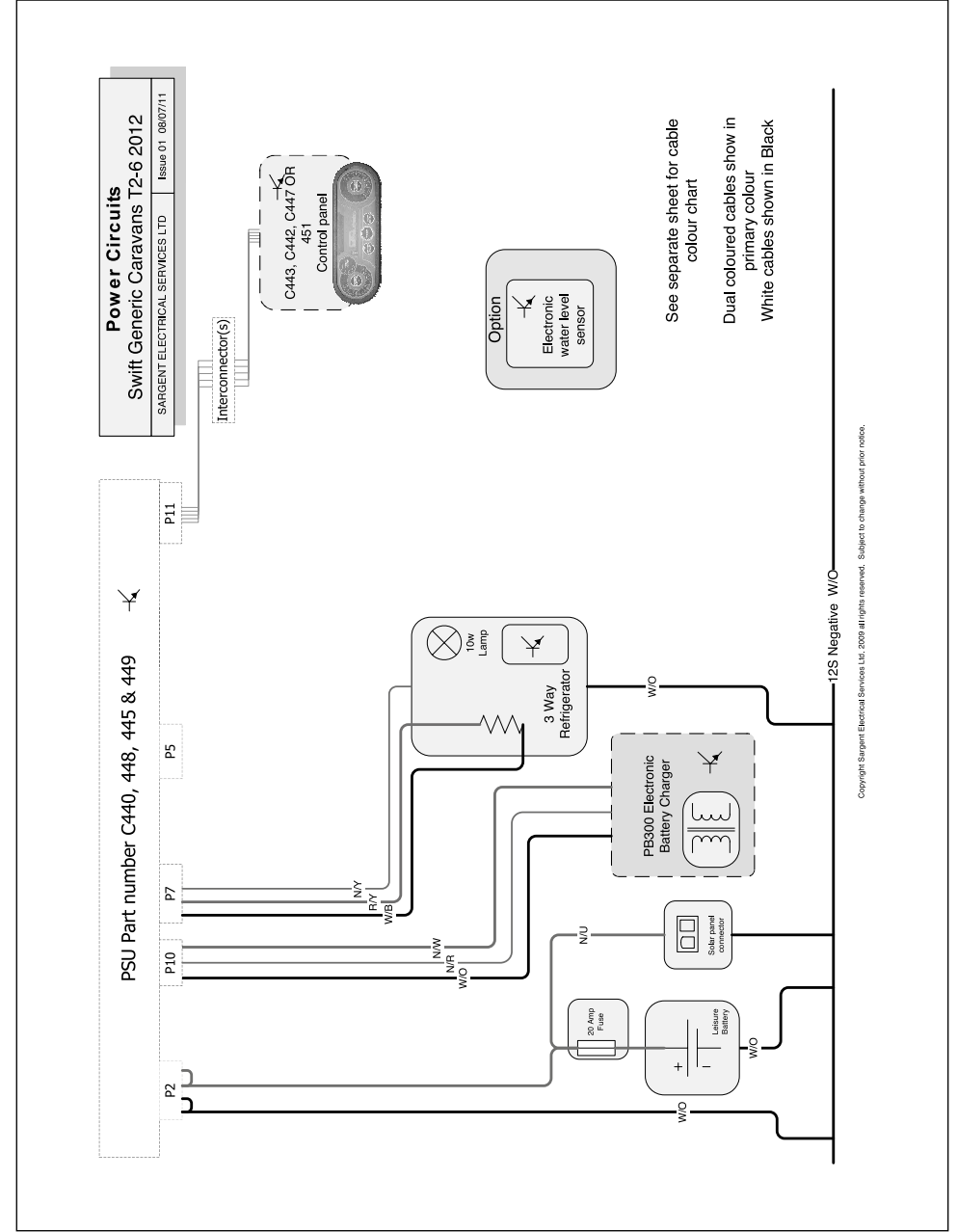
Sprite range - Floor circuits



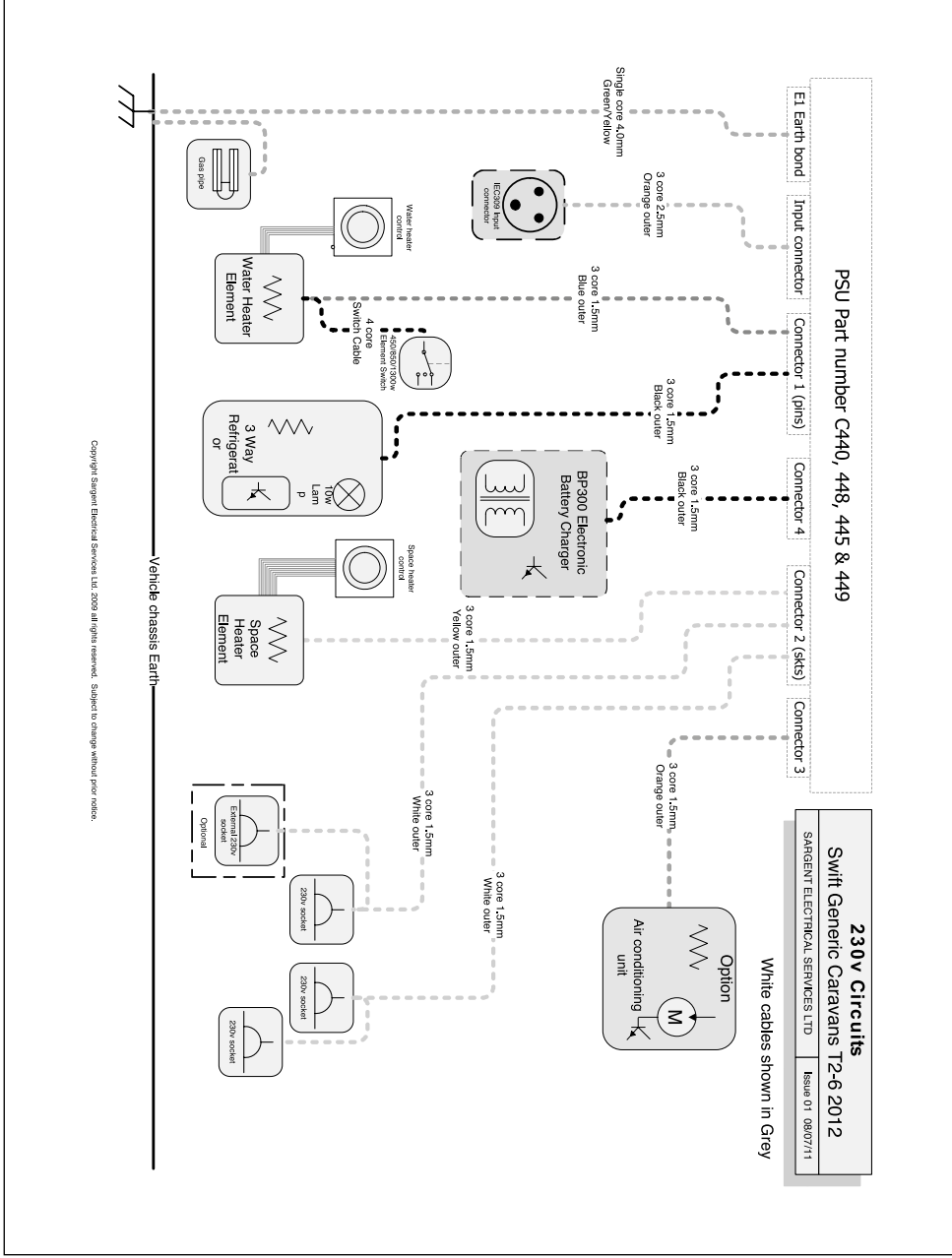
Sprite range - Roof circuits



Sprite range - Power circuits



Sprite range - 230V circuits



Sprite range - 13 pin socket

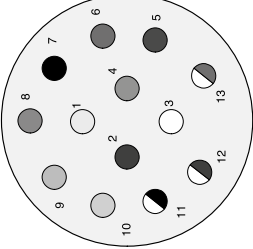
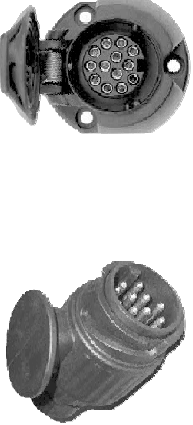
ISO 11446 Circuits
SARGENT ELECTRICAL SERVICES LTD Issue 01 08/07/10

Swift Group Caravans (where applicable)

Please be aware that some car and adaptor manufacturers don't provide the fridge power connections

sockets on the towbar to a single 13 pin ISO socket, and vice versa.
Connection lead from 12N 7 pin socket plus 12S 7 pin socket to 13pin Euro Socket. (Converts a vehicle with two 7 pin sockets to a caravan with a 13 pin plug)

Pin No	Core Colour	Core Size	Function
1	Yellow	1.5	Left Hand Indicator Light
2	Blue	1.5	Rear Fog Warning Light(s)
3	White	2.5	Earth for pins 1 - 8
4	Green	1.5	Right Hand Indicator Light
5	Brown	1.5	Right Hand Tail Light
6	Red	1.5	Brake Lights
7	Black	1.5	Left Hand Tail Light
8	Pink	1.5	Reverse Light(s)
9	Orange	2.5	Car +ve
10	Slate (Grey)	2.5	Fridge +ve
11	White/Black	2.5	Earth for pin 10
12	White/Blue	1.5	Not Yet Allocated
13	White/Red	2.5	Earth for pin 9

11446 Plug Connector viewed from cable entry on right


Copyright Sargent Electrical Services Ltd, 2009 all rights reserved. Subject to change without prior notice.

Sprite range - Cable colour chart

12v Cable Colours

B	BLACK
N	BROWN
R	RED
O	ORANGE
Y	YELLOW
G	GREEN
U	BLUE
P	PURPLE
S	SLATE GREY
W	WHITE
K	PINK

Example



Y/U Yellow cable with Blue stripe

230v Cable Colours

B	BLACK
N	BROWN
W	WHITE
O	ORANGE
Y	YELLOW
G	GREEN
U	BLUE

Cable Colour Chart
Swift range 2011

SARGENT ELECTRICAL SERVICES LTD Issue 08/07/10

Road Lights	Bulb type	Bulb rating
Front marker lights	W5W	12v 5W
Side marker - Low Level	W5W	12v 5W
Side marker - High Level	R5W	12v 5W
Reversing light	P21	12v 21W
Rear indicator light	P21	12v 21W
Brake / tail light	P21/5W	12v 21W/5W
Fog light	P21	12v 21W
Number plate light	C5W	12v 5W
Interior / Other Lights	Bulb type	Bulb rating
Awning Lamp LED	Astro 500mm LED complete unit	12v 2.2W LED
Ceiling light, halogen (living area)	Halogen capsule bulb	12v 10W
Ceiling light, halogen (white, shower area)	Halogen capsule bulb	12v 10W
Kitchen light	Fluorescent 300mm	12v 8W
Downlight, reading lights	GU4 / MR11 Dichroic	12v GU4 10W
Eyelite bunk light	T10 (t3 1/4) Wedge	12v 5W

Note: Not all lights and bulbs feature on all models within a range

Bulb Replacement

SPRITE ROAD LIGHT BULB ACCESS

STOP / TAIL / INDICATOR AND REVERSE LAMPS

Bulb access is from front / via lense of each lamp.

Remove 2x screws from each light lense and withdraw lense.

Bulbs are a bayonet fitting – apply slight pressure on bulb towards light fitting, and twist to release.

Reverse procedure to re-fit bulb and lense.

Take care when replacing stop/tail lamp bulb, that orientation of bulb is correct – to check, brake light operation should be brighter than tail lamp operation.

REAR CENTRAL FOG LIGHT

Bulb access is from front / via lense of lamp.

Remove 2x screws from light lense and withdraw lense.

Bulb is a bayonet fitting – apply slight pressure on bulb towards light fitting, and twist to release.

Reverse procedure to re-fit bulb and lense.

UPPER REAR SIDE POSITION LAMPS (RED / CLEAR LENSE)

Lense is removed from base to access bulb.

Carefully insert small flat bladed screwdriver into recess in lower edge of lamp base. Apply pressure to release locking barb.

Lift lense upwards and away from lamp base, lower edge first.

Lever bulb out of retaining clips.

Reverse procedure to re-fit bulb and lense.

NUMBER PLATE LAMPS

Bulb access is from the front / via lense of each lamp.

Remove the two screws in the lense of the lamp.

Lever the bulb out of retaining clips.

Reverse the procedure to re-fit a new bulb and the light lense.

FRONT MARKER POSITION LAMPS

Bulb access is from rear of lamp.

Remove 2x screws from light fitting, and withdraw whole fitting from caravan front panel.

Harness plugs into bulb holder – Twist bulb holder relative to lamp body to release bulb holder from lamp body.

Bulbs are push fit into bulb holder – pull bulb directly away from holder to release.

Reverse procedure to replace bulb in holder, holder in lamp and lamp onto caravan body.

SIDE MARKER POSITION LAMPS

Bulb access is from rear of lamp. First check from within caravan if the rear of the lamp is accessible:

If rear of light is accessible:

Harness plugs into bulb holder – Twist bulb holder relative to lamp body to release bulb holder from lamp body.

Bulbs are push fit into bulb holder – pull bulb directly away from holder to release.

Reverse procedure to replace bulb in holder and holder in lamp.

If rear of light is not accessible:

Remove 2x screws from light fitting, and withdraw whole fitting from caravan body.

Harness plugs into bulb holder – Twist bulb holder relative to lamp body to release bulb holder from lamp body.

Bulbs are push fit into bulb holder – pull bulb directly away from holder to release.

Reverse procedure to replace bulb in holder, holder in lamp and lamp onto caravan body.